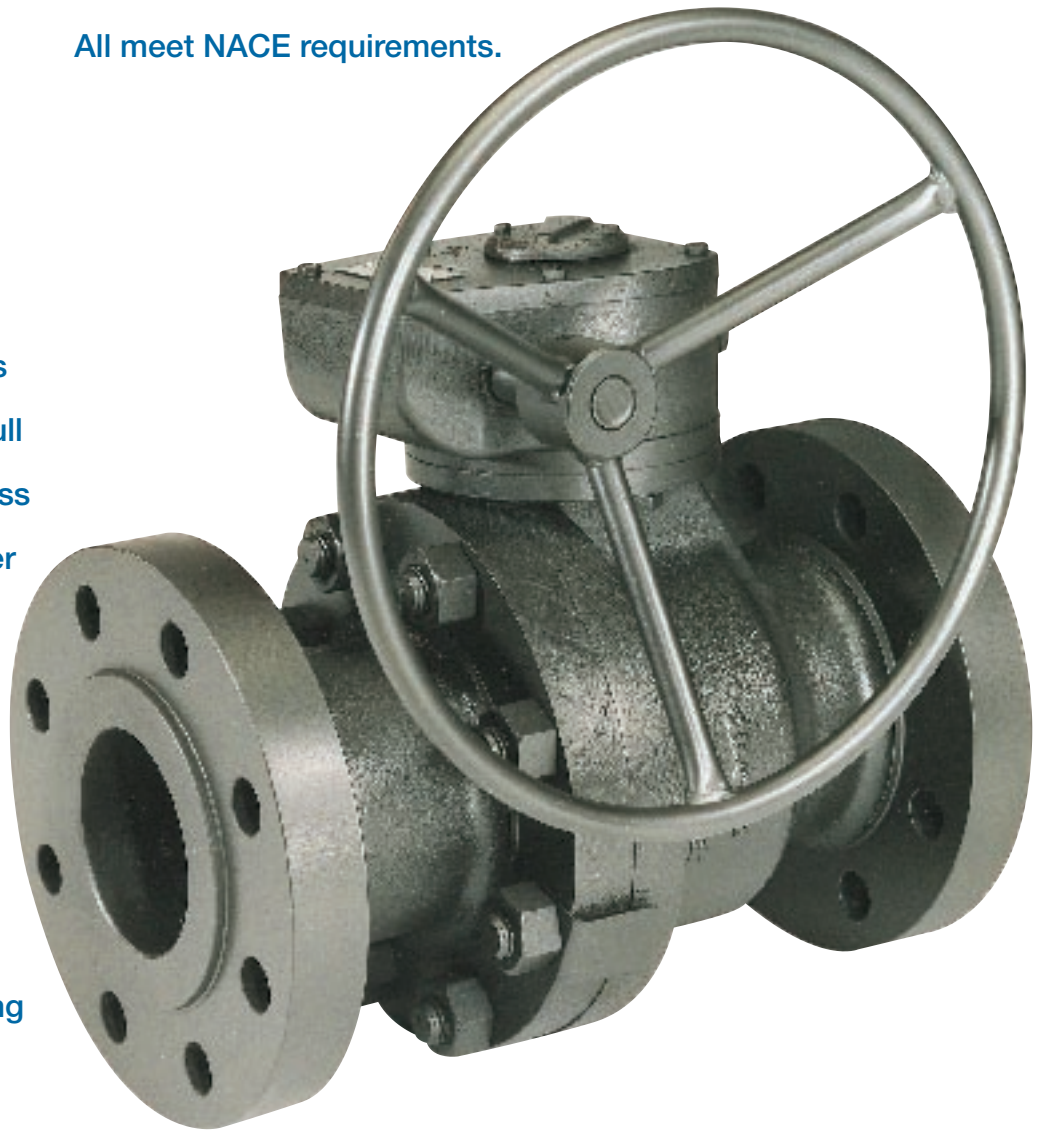


Series F Flanged End

The Balon design and advanced manufacturing methods have allowed us to provide an easy operating, low maintenance, and lower cost alternative to the more expensive and trouble-prone trunnion type ball valves.

In keeping with our emphasis on personnel safety, our 4" full bore and larger ANSI 600 class and our 6" full bore and larger ANSI 150 and 300 class valves are equipped with gear operators as standard. This eliminates the need for extremely long operating handles which can be a significant hazard to operating personnel both offshore and onshore.

These gear operated valves are firesafe, require no lubrication, and are standard with 316 stainless steel ball and stem. All meet NACE requirements.



Material Description

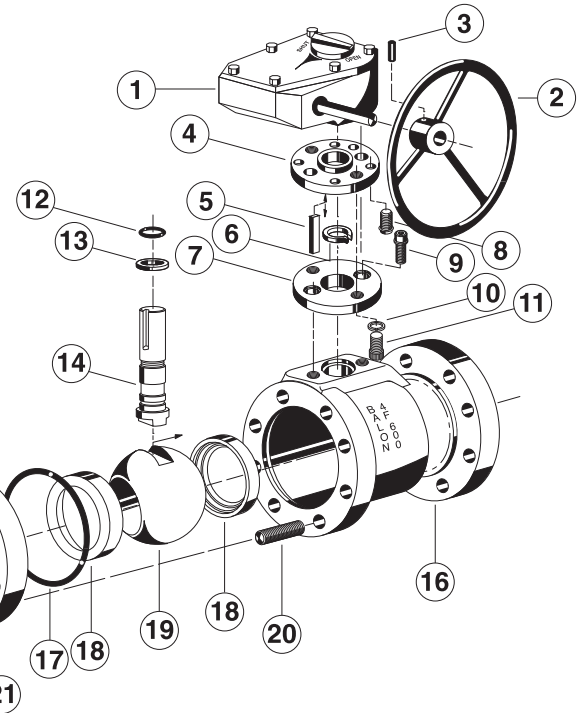
ITEM	PART NAME	MATERIAL (NACE)
1	Gear Operator	
2	Hand Wheel	
3	Drive Pin	
4	Gear Box Adapt. Plate	ASTM A536-72 ductile iron A395-74 class 60-40-18
5	Stem Key	Steel key stock
6	Stem Retainer Ring	Carbon spring steel
7	Mounting Plate	ASTM A536-72 ductile iron A395-74 class 60-40-18
8	Gear Box Mtg. Screws	ANSI B18.3 82 button head cap screw
9	Mtg. Plate Screws	ANSI B18.3 82 SHCS modified
10	Lock Washers	ANSI B27.1 zinc plated internal tooth
11	Mounting Screws	ANSI B18.3 SHCS
12	Stem O-ring	Fluorocarbon
13	Stem seal	TFE
14	Stem	AISI A-316 stainless steel annealed ASTM A276-316
15	End Adapter	ASTM 216 grade WCB annealed carbon steel
16	Body	ASTM 216 grade WCB annealed carbon steel
17	Body O-ring	Fluorocarbon
18	Ball Seats *	Nylon (Acetal optional)
19	Ball	ASTM A-743-CF8M/316 annealed stainless steel
20	Body Stud Bolts	ASTM A193 B-7M
21	Body Stud Nuts	ASTM A194 2HM

**Gear Operated
Bolted Construction**

**ANSI Class 150
285 PSI W.P.**

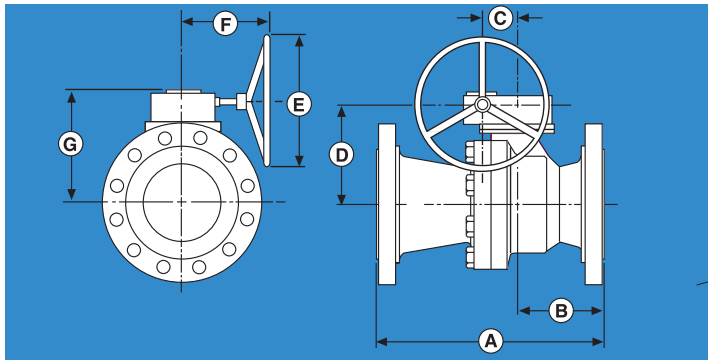
**ANSI Class 300
740 PSI W.P.**

**ANSI Class 600
1480 PSI W.P.**



Above valves sold standard with 316 SS trim (NACE) and gear operated with hand wheel.

* Ball Seats Acetal standard 6" full 600 (6F-F63N).



Dimensions

BALON SERIES "F" GEAR OPERATED BALL VALVE DIM. DATA													
ANSI CLASS	SIZE	PORT	CAT. NO. NACE TRIM 316 SS STEEL BALL & STEM	WP	A		B		C	D	E	F	G
					RF	RJ	RF	RJ					
150	6x6x6	6	6F-F13N*	285	10½	NA	4½	NA	3¾	9¼	14	9½	11⅞
150	8x6x8	6	8R-F13N	285	11½	NA	5½	NA	3¾	9¼	14	9½	11⅞
150	8x8x8	8	8F-F13N	285	18	NA	8	NA	5	12	18	13	14
150	10x8x10	8	10R-F13N	285	21	NA	9	NA	5	12	18	13	14
300	6x6x6	6	6F-F33N	740	15½	NA	6¾	NA	4¾	9¾	14	9¾	12
300	8x6x8	6	8R-F33N	740	16½	NA	7¾	NA	4¾	9¾	14	9¾	12
600	4x4x4	4	4F-F63N**	1480	17	17½	7¾	7¾	3	8⅞	12	10¼	10¾
600	6x4x6	4	6R-F63N**	1480	22	22½	9⅞	9¼	3	8⅞	12	10¼	10¾
600	6x6x6	6	6F-F63N**	1480	22	22½	8¾	8⅞	4½	10	18	11	12
600	8x6x8	6	8R-F63N**	1480	26	26½	10¾	10⅞	4½	10	18	11	12

Most Series F Flanged end valves are available for low temperature service. Consult factory for price and availability.

Note: Gear operator available with locking flange. Consult factory.

*Flange tapped one end for eight ¼"- 10 x 2½ cap screws or eight ¼"- 10 x 3 studs.

**Specify RF for raised face; RTJ for ring type joint when ordering.

Note: Above valves sold standard with 316 SS trim (NACE) and gear operated.