

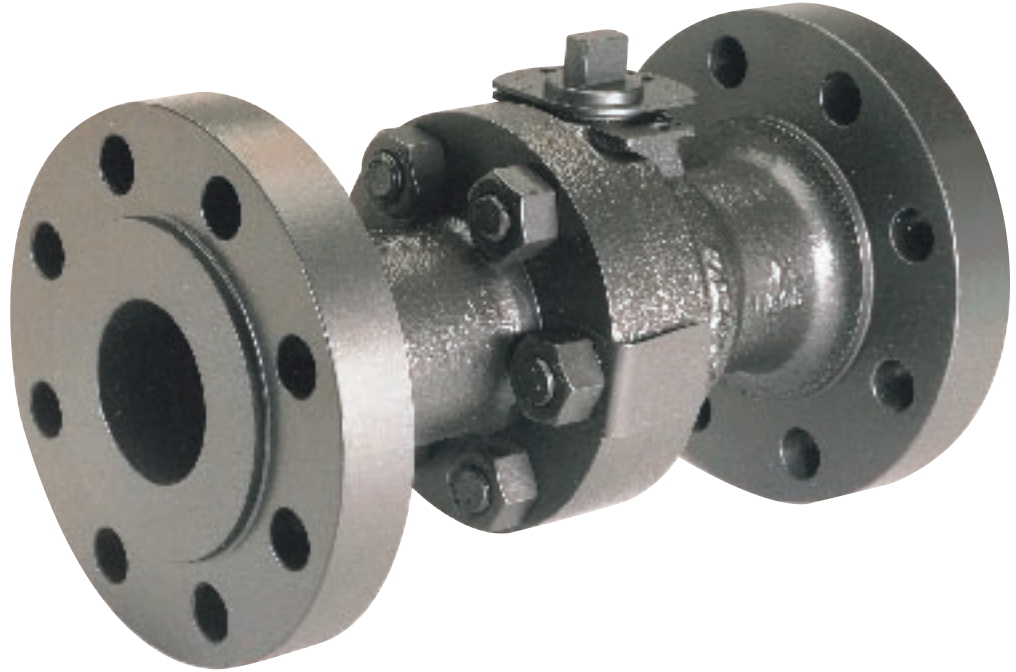
# Series F Flanged End

---

Balon Series F carbon steel flanged end ball valves are manufactured to meet the most rigid industry standards such as ANSI, API, MSS, etc.

All Balon flanged end valves are two-piece bolted construction, requiring no lubrication, and are easily field repairable. All have built-in locking devices as standard.

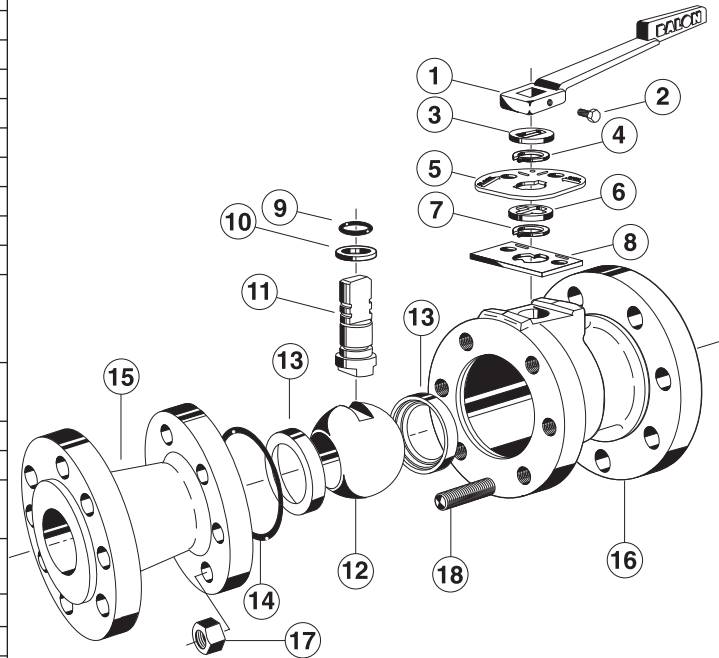
The Series F has been successfully fire tested by an independent laboratory to meet API-6FA and BS-5655 firesafe standards.



## Material Description

ITEM	PART NAME	MATERIAL (STANDARD)	MATERIAL STAINLESS STEEL (NACE)
1	Handle*	Ductile iron	Ductile iron
2	Handle bolt	Standard hex bolt	Standard hex bolt
3	Weather guard	Polyethylene	Polyethylene
4	Lock plate retainer	Carbon spring steel	Carbon spring steel
5	Lock plate	Carbon steel - zinc plated	Carbon steel - zinc plated
6	Dust cover	Polyethylene	Polyethylene
7	Stop plate retainer	Carbon spring steel	Carbon spring steel
8	Stop plate	Carbon steel zinc plated	Carbon steel zinc plated
9	Stem O-ring	Buna	Fluorocarbon
10	Stem seal	TFE	TFE
11	Stem	Carbon steel zinc plated ASTM A311-79 Class B	ASTM A-316 stainless steel annealed ASTM A-276-316
12	Ball	AISI 1018 nickel chrome plated	ASTM A-743-CF8M/316 annealed stainless steel
13	Ball seat	Nylon (TFE optional)	Nylon (TFE optional)
14	Body O-ring	Buna	Fluorocarbon
15	End adapter	ASTM 216 grade WCB annealed carbon steel	ASTM 216 grade WCB annealed carbon steel
16	Body	ASTM 216 grade WCB annealed carbon steel	ASTM 216 grade WCB annealed carbon steel
17	Body stud nuts	ASTM A-194 ASME SA 194 2H	ASTM A-194 2HM
18	Body stud bolts	ASTM A-193 ASME SA-193 B-7	ASTM A-193 B-7M
19	Body bolts	ANSI B18.3 ANSI/ASTM A574	ASTM A-193/B7M

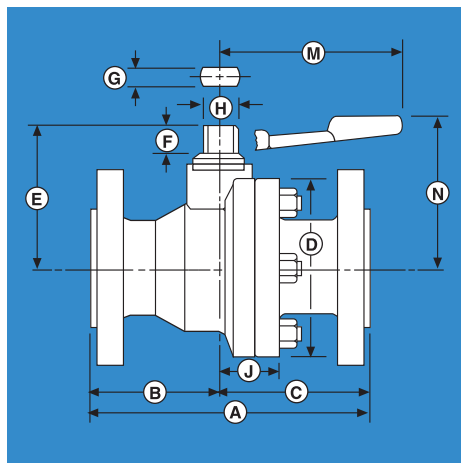
Lever Operated  
ANSI Class 150  
285 PSI W.P.



\* *Balon valves are designed to be operated with a standard open-end wrench.*

*Handle and Handle Bolt are optional.*

## Dimensions



BALON SERIES "F" - CARBON STEEL - FLANGED END - DIM. DATA														
SIZE	CAT. NO.		PORT	A	B	C	D	E	F	G	H	J	M	N
	STANDARD TRIM CARBON STEEL BALL & STEM	NACE TRIM 316 STAINLESS STEEL BALL & STEM												
1 x 1 x 1	1F-F13	1F-F13N	1	5	2	3	3 $\frac{3}{8}$	2 $\frac{3}{8}$	$\frac{1}{2}$	0.340	0.685	1 $\frac{1}{8}$	4 $\frac{3}{8}$	3
1 $\frac{1}{2}$ x 1 $\frac{1}{2}$ x 1 $\frac{1}{2}$	1 $\frac{1}{2}$ F-F13	1 $\frac{1}{2}$ F-F13N	1 $\frac{1}{2}$	6 $\frac{1}{2}$	2 $\frac{3}{4}$	3 $\frac{3}{4}$	5	3 $\frac{3}{8}$	$\frac{3}{4}$	0.434	0.873	1 $\frac{1}{2}$	7 $\frac{1}{4}$	5
2 x 1 $\frac{1}{2}$ x 2	2R-F13	2R-F13N	1 $\frac{1}{2}$	7	2 $\frac{3}{4}$	4 $\frac{1}{4}$	5	3 $\frac{3}{8}$	$\frac{3}{4}$	0.434	0.873	1 $\frac{1}{2}$	7 $\frac{1}{4}$	5
2 x 2 x 2	2F-F13	2F-F13N	2	7	2 $\frac{3}{4}$	4 $\frac{1}{4}$	6	4 $\frac{3}{8}$	$\frac{7}{8}$	0.497	0.998	1 $\frac{1}{8}$	10 $\frac{1}{4}$	5 $\frac{1}{2}$
2 $\frac{1}{2}$ x 2 $\frac{1}{2}$ x 2 $\frac{1}{2}$	2 $\frac{1}{2}$ F-F13	2 $\frac{1}{2}$ F-F13N	2 $\frac{1}{2}$	7 $\frac{1}{2}$	3	4 $\frac{1}{2}$	6 $\frac{1}{4}$	5 $\frac{1}{4}$	1 $\frac{1}{8}$	0.622	1.248	2	16	5 $\frac{1}{2}$
3 x 2 x 3	3R-F13	3R-F13N	2	8	3	5	6	4 $\frac{3}{8}$	$\frac{7}{8}$	0.497	0.998	2	10 $\frac{1}{4}$	5 $\frac{1}{2}$
3 x 3 x 3*	3F-F13	3F-F13N	3	8	2 $\frac{3}{8}$	5 $\frac{3}{8}$	7 $\frac{1}{2}$	5 $\frac{1}{4}$	1 $\frac{1}{8}$	0.747	1.373	2 $\frac{3}{8}$	20	6 $\frac{1}{4}$
4 x 3 x 4	4R-F13	4R-F13N	3	9	3 $\frac{1}{2}$	5 $\frac{1}{2}$	7 $\frac{3}{8}$	5 $\frac{1}{4}$	1 $\frac{1}{8}$	0.747	1.373	2 $\frac{3}{8}$	20	6 $\frac{1}{4}$
4 x 4 x 4**	4F-F13	4F-F13N	4	9	3 $\frac{3}{4}$	5 $\frac{3}{4}$	9	6 $\frac{1}{8}$	1 $\frac{1}{8}$	0.747	1.373	2 $\frac{1}{2}$	20	7 $\frac{1}{8}$
6 x 4 x 6	6R-F13	6R-F13N	4	10 $\frac{1}{2}$	4 $\frac{3}{4}$	5 $\frac{3}{4}$	9 $\frac{3}{8}$	6 $\frac{3}{8}$	1 $\frac{1}{8}$	0.747	1.373	3	20	7 $\frac{1}{8}$

(For larger sizes, see page 25.)

Most Series F Flanged end valves are available for low temperature service. Consult factory for price and availability.

All Series F available with 316 SS and NACE.

\* Flange tapped one end for four -  $\frac{3}{8}$ " - 11 x 2 cap screws or four -  $\frac{3}{8}$ " - 11 x 2  $\frac{3}{8}$ " studs.

\*\* Flange tapped one end for eight -  $\frac{3}{8}$ " - 11 x 2 cap screws or eight -  $\frac{3}{8}$ " - 11 x 2  $\frac{3}{8}$ " studs.

WP is for valve equipped with standard nylon seats. See Chart on page 43 for TFE ratings.