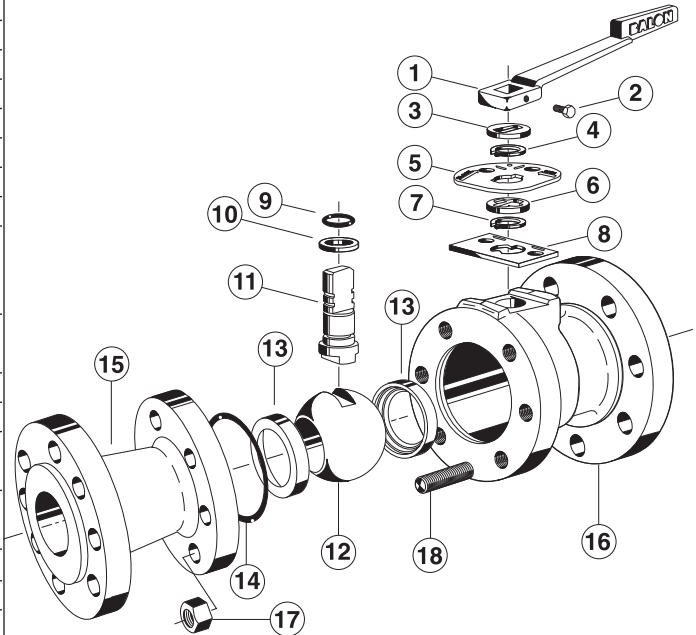


## Material Description

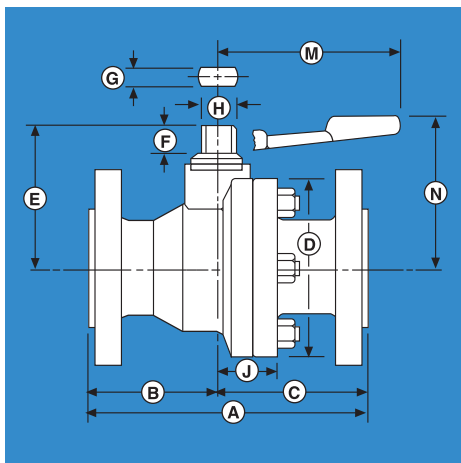
ITEM	PART NAME	MATERIAL (STANDARD)	MATERIAL (NACE)
1	Handle*	Ductile iron	Ductile iron
2	Handle bolt	Standard hex bolt	Standard hex bolt
3	Weather guard	Polyethylene	Polyethylene
4	Lock plate retainer	Carbon spring steel	Carbon spring steel
5	Lock plate	Carbon steel - zinc plated	Carbon steel - zinc plated
6	Dust cover	Polyethylene	Polyethylene
7	Stop plate retainer	Carbon spring steel	Carbon spring steel
8	Stop plate	Carbon steel zinc plated	Carbon steel zinc plated
9	Stem O-ring	Buna	Fluorocarbon
10	Stem seal	TFE	TFE
11	Stem	Carbon steel zinc plated ASTM A311-79 Class B	AISI A-316 stainless steel annealed ASTM A-276-316
12	Ball	AISI 1018 nickel chrome plated	ASTM A-743-CF8M/316 annealed stainless steel
13	Ball seat	Nylon (TFE optional)	Nylon (TFE optional)
14	Body O-ring	Buna	Fluorocarbon
15	End adapter	ASTM 216 grade WCB annealed carbon steel	ASTM 216 grade WCB annealed carbon steel
16	Body	ASTM 216 grade WCB annealed carbon steel	ASTM 216 WCB annealed carbon steel
17	Body stud nuts	ASTM A-194 ASME SA 194 2H	ASTM A-194 2HM
18	Body stud bolts	ASTM A-193 ASME SA-193 B-7	ASTM A-193 B-7M
19	Body bolts	ANSI B18.3 ANSI/ASTM A574	ASTM A-193/B7M

Lever Operated  
ANSI Class 300  
740 PSI W.P.



\* *Balon valves are designed to be operated with a standard open-end wrench.*

*Handle and Handle Bolt are optional.*



## Dimensions

BALON SERIES "F" - CARBON STEEL - FLANGED END - DIM. DATA														
SIZE	CAT. NO.		PORT	A	B	C	D	E	F	G	H	J	M	N
	STANDARD TRIM CARBON STEEL BALL & STEM	NACE TRIM 316 STAINLESS STEEL BALL & STEM												
2 x 1½ x 2	2R-F33	2R-F33N	1½	8½	3¼	4¼	5	3¾	¾	.434	.873	1%	7¼	5
2 x 2 x 2	2F-F33	2F-F33N	2	8½	3¼	4¼	6½	4%	7%	.497	.998	1%	10¼	5%
3 x 2 x 3	3R-F33	3R-F33N	2	11%	4%	6%	6½	4%	7%	.497	.998	2%	10¼	5%
3 x 3 x 3	3F-F33	3F-F33N	3	11%	4%	6½	8	5%	1½	.747	1.373	2½	20	6%
4 x 3 x 4	4R-F33	4R-F33N	3	12	5	7	8	5%	1½	.747	1.373	2½	20	6%
4 x 4 x 4	4F-F33	4F-F33N	4	12	5%	6%	9%	6%	1½	.747	1.373	3%	20	7%
6 x 4 x 6	6R-F33	6R-F33N	4	15%	6	9%	10	6%	1½	.747	1.373	3%	20	7%

(For larger sizes, see page 25.)

Most Series F Flanged end valves are available for low temperature service. Consult factory for price and availability.

All Series F available with 316 SS and NACE.

WP is for valve equipped with standard nylon seats. See Chart on page 43 for TFE ratings.