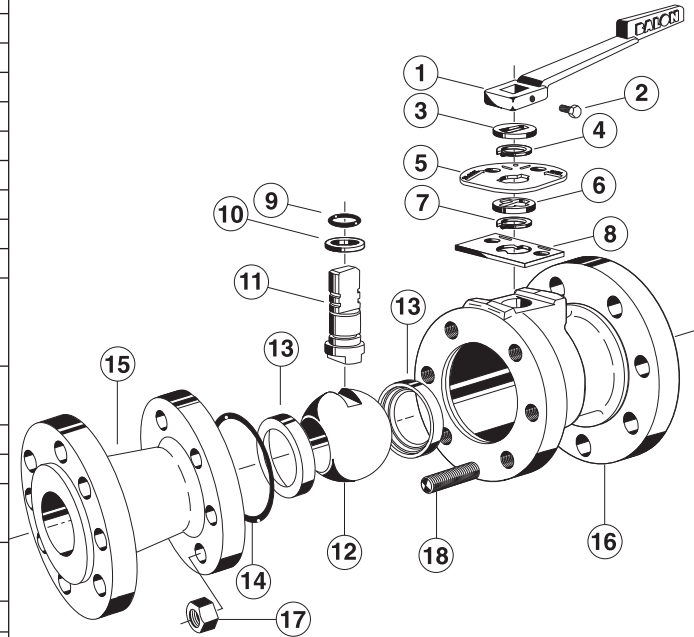


## Material Description

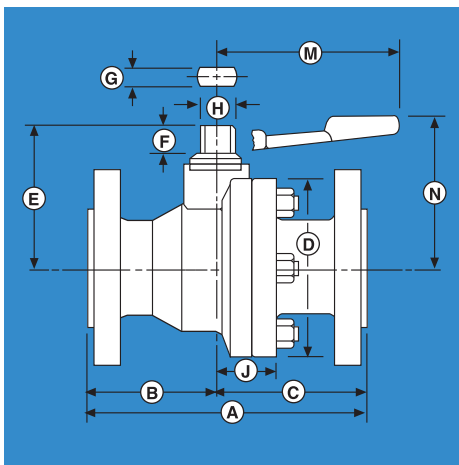
ITEM	PART NAME	MATERIAL (STANDARD)	MATERIAL (NACE)
1	Handle*	Ductile iron	Ductile iron
2	Handle bolt	Standard hex bolt	Standard hex bolt
3	Weather guard	Polyethylene	Polyethylene
4	Lock plate retainer	Carbon spring steel	Carbon spring steel
5	Lock plate	Carbon steel - zinc plated	Carbon steel - zinc plated
6	Dust cover	Polyethylene	Polyethylene
7	Stop plate retainer	Carbon spring steel	Carbon spring steel
8	Stop plate	Carbon steel zinc plated	Carbon steel zinc plated
9	Stem O-ring	Buna	Fluorocarbon
10	Stem seal	TFE	TFE
11	Stem	Carbon steel zinc plated ASTM A311-79 Class B	AISI A-316 stainless steel annealed ASTM A-276-316
12	Ball	AISI 1018 nickel chrome plated	ASTM A-743-CF8M/316 annealed stainless steel
13	Ball seat	Nylon (TFE optional)	Nylon (TFE optional)
14	Body O-ring	Buna	Fluorocarbon
15	End adapter	ASTM 216 grade WCB annealed carbon steel	ASTM 216 grade WCB annealed carbon steel
16	Body	ASTM 216 grade WCB annealed carbon steel	ASTM 216 WCB annealed carbon steel
17	Body stud nuts	ASTM A-194 ASME SA 194 2H	ASTM A-194 2HM
18	Body stud bolts	ASTM A-193 ASME SA-193 B-7	ASTM A-193 B-7M
19	Body bolts	ANSI B18.3 ANSI/ASTM A574	ASTM A-193/B7M

Lever Operated  
ANSI Class 600  
1480 PSI W.P.



\* Balon valves are designed to be operated with a standard open-end wrench.

Handle and Handle Bolt are optional.



## Dimensions

BALON SERIES "F" - CARBON STEEL - FLANGED END - DIM. DATA																	
SIZE	CAT. NO.		PORT	A		B		C		D	E	F	G	H	J	M	N
	STANDARD TRIM CARBON STEEL BALL & STEM	NACE TRIM 316 STAINLESS STEEL BALL & STEM		RF	RTJ	RF	RTJ	RF	RTJ								
1x1x1	1F-F63	1F-F63N	1	8½	8½	3⅞	3⅞	4⅞	4⅞	3⅞	2⅞	½	0.340	0.685	1⅞	4⅞	3
1½x1½x1½	1½F-F63	1½F-F63N	1½	9½	9½	4⅞	4⅞	5⅞	5⅞	5⅞	3⅞	¾	0.434	0.873	1¾	7¼	5
2x1½x2	2R-F63	2R-F63N	1½	11½	11½	5⅞	5⅞	6⅞	6⅞	5⅞	3⅞	¾	0.434	0.873	1¾	7¼	5
2x2x2	2F-F63	2F-F63N	2	11½	11½	4⅞	4⅞	6⅞	6⅞	6⅞	4⅞	⅞	0.497	0.998	2⅞	10¼	5⅞
2½x2½x2½	2½F-F63	2½F-F63N	2½	13	13	5⅞	5⅞	7⅞	7¼	7½	5¼	1⅞	0.622	1.248	2⅞	16	5¼
3x2x3	3R-F63	3R-F63N	2	14	14	5⅞	5⅞	8¼	8⅞	6⅞	4⅞	⅞	0.497	0.998	2¼	10¼	6⅞
3x3x3	3F-F63	3F-F63N	3	14	14	5⅞	5⅞	8½	8⅞	8	5¼	1⅞	0.747	1.373	2⅞	20	6⅞
4x3x4	4R-F63	4R-F63N	3	17	17	6⅞	6⅞	10⅞	10⅞	8⅞	5¼	1⅞	0.747	1.373	2⅞	20	6⅞

\*(For larger sizes, see page 25.)

Most Series F Flanged end valves are available for low temperature service. Consult factory for price and availability.

All Series F available with 316 SS and NACE.

Note: Specify RF for raised face; RTJ for ring type joint when ordering. All ANSI 600 class valves available for low temp service. Consult factory for price and availability.

WP is for valve equipped with standard nylon seats. See Chart on page 43 TFE ratings.