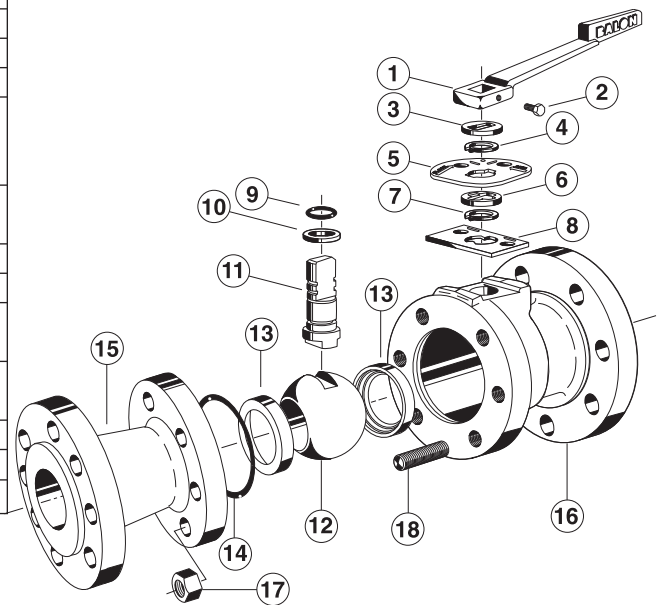


Material Description

ITEM	PART NAME	MATERIAL (STANDARD)	MATERIAL (NACE)
1	Handle*	Ductile iron	Ductile iron
2	Handle bolt	Standard hex bolt	Standard hex bolt
3	Weather guard	Polyethylene	Polyethylene
4	Lock plate retainer	Carbon spring steel	Carbon spring steel
5	Lock plate	Carbon steel - zinc plated	Carbon steel - zinc plated
6	Dust cover	Polyethylene	Polyethylene
7	Stop plate retainer	Carbon spring steel	Carbon spring steel
8	Stop plate	Carbon steel zinc plated	Carbon steel zinc plated
9	Stem O-ring	Buna	Fluorocarbon
10	Stem seal	TFE	TFE
11	Stem	Carbon steel zinc plated ASTM A311-79 Class B	AISI A-316 stainless steel annealed ASTM A-276-316
12	Ball	AISI 1018 nickel chrome plated	ASTM A-743-CF8M/316 annealed stainless steel
13	Ball seat **	Acetal — Nylon	Acetal — Nylon
14	Body O-ring	Buna	Fluorocarbon
15	End adapter	ASTM 216 grade WCB annealed carbon steel	ASTM 216 grade WCB annealed carbon steel
16	Body	ASTM 216 grade WCB annealed carbon steel	ASTM 216 WCB annealed carbon steel
17	Body stud nuts	ASTM A-194 ASME SA 194 2H	ASTM A-194 2HM
18	Body stud bolts	ASTM A-193 ASME SA-193 B-7	ASTM A-193 B-7M
19	Body bolts	ANSI B18.3 ANSI/ASTM A574	ASTM A-193/B7M

Lever Operated
ANSI Class 900
2220 PSI W.P.

ANSI Class 1500
3705 PSI W.P.

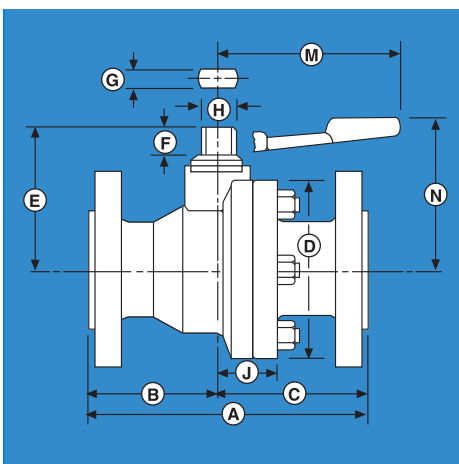


* *Balon valves are designed to be operated with a standard open-end wrench.*

Handle and Handle Bolt are optional.

** *Nylon Seats standard 900 Class, Acetal Seats standard 1500 Class.*

Dimensions



SIZE	CAT. NO.		PORT	A		B		C		D	E	F	G	H	J	M	N
	STANDARD TRIM CARBON STEEL	NACE TRIM 316 STAINLESS STEEL		RF	RTJ	RF	RTJ	RF	RTJ								
1x1x1	1F-F93	1F-F93N	1	10	10	4%	4%	5%	5%	4/4	2%	1/2	0.340	0.685	1/4	4%	3
2x1 1/2x2	2R-F93	2R-F93N	1 1/2	14 1/2	14 3/8	6 7/16	6 3/8	8 1/16	8 1/4	6 1/4	3 3/8	3/4	0.434	0.873	1 1/16	7 1/4	5
2x2x2	2F-F93	2F-F93N	2	14 1/2	14 3/8	6	6 1/16	8 1/2	8 1/16	7	4 1/8	7/8	0.497	0.998	2 1/4	10 1/4	5 3/8
3x2x3	3R-F93	3R-F93N	2	15	15 1/8	6 1/8	6 1/16	8 3/8	8 1/16	7	4 1/8	7/8	0.497	0.998	2 1/4	10 1/4	6 1/8

SIZE	CAT. NO.		PORT	A		B		C		D	E	F	G	H	J	M	N
	STANDARD TRIM CARBON STEEL	NACE TRIM 316 STAINLESS STEEL		RF	RTJ	RF	RTJ	RF	RTJ								
1x1x1	1F-F03	1F-F03N	1	10	10	4%	4%	5%	5%	4/4	2%	1/2	0.340	0.685	1/4	4%	3
2x1 1/2x2	2R-F03	2R-F03N	1 1/2	14 1/2	14 3/8	6 3/16	6 3/8	8 1/16	8 1/4	6 1/4	3 3/8	3/4	0.434	0.873	1 1/16	7 1/4	5

Note: Specify RF for raised face; RTJ for ring type joint when ordering.

Most Series F Flanged end valves are available for low temperature service. Consult factory for price and availability.

All Series F available with 316 SS and NACE.