

Series F Screwed End / Grooved End

The Balon Aluminum Bronze Series F ball valve provides a good alternative to higher priced stainless steel valves, particularly in CO₂ secondary recovery applications.

Balon utilizes a 9D aluminum bronze which has a higher nickel content than other aluminum bronze alloys such as 9A, 9B, and 9C, thus providing much better corrosion resistance.

A firesafe design, the Balon aluminum bronze includes a built-in locking device, bolted construction, and 316 stainless steel ball and stem, all as standard features, and meets NACE requirements.



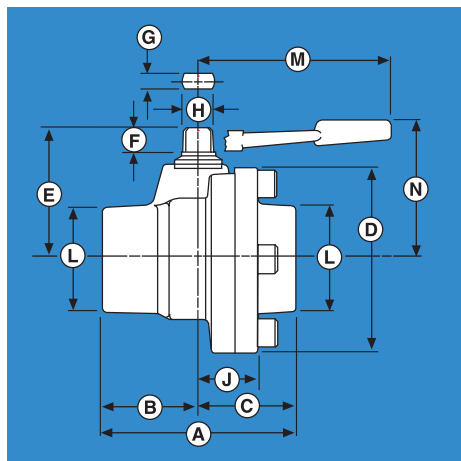
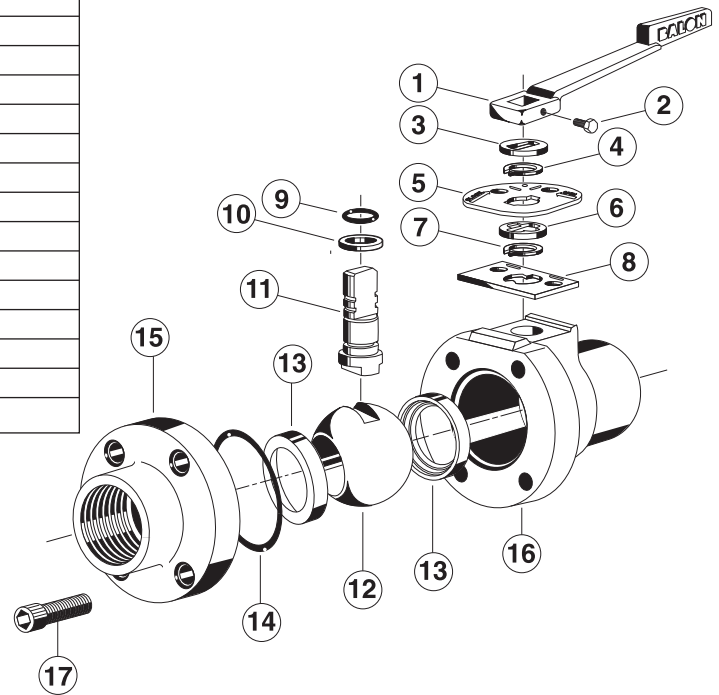
Aluminum Bronze

Material Description

| ITEM | PART NAME | MATERIAL NACE (STANDARD) |
|------|---------------------|--|
| 1 | Handle* | Ductile iron |
| 2 | Handle bolt | Standard hex bolt |
| 3 | Weather guard | Polyethylene |
| 4 | Lock plate retainer | Carbon spring steel |
| 5 | Lock plate | Carbon steel - zinc plated |
| 6 | Dust cover | Polyethylene |
| 7 | Stop plate retainer | Carbon spring steel |
| 8 | Stop plate | Carbon steel zinc plated |
| 9 | Stem O-ring | Fluorocarbon |
| 10 | Stem seal | TFE |
| 11 | Stem | AISI A-316 stainless steel annealed ASTM A-276-316 |
| 12 | Ball | ASTM A-743 CF8M annealed stainless steel |
| 13 | Ball seat | Nylon (TFE optional) |
| 14 | Body O-ring | Fluorocarbon |
| 15 | End adapter | ASTM B148-9D |
| 16 | Body | ASTM B148-9D |
| 17 | Body bolts | ASTM A-193/B7M |

* *Balon valves are designed to be operated with a standard open-end wrench. Handle and Handle Bolt are optional.*

Lever Operated
Bolted Construction
1" thru 2"
to 3000 PSI WP



Dimensions

| BALON SERIES "F" - ALUMINUM BRONZE - SCREWED END - DIM. DATA | | | | | | | | | | | | | | | |
|--|---|-------|------|------|---------|--------|------|--------|------|------|------|--------|--------|---------|--------|
| SIZE | CATALOG NO. NACE TRIM 316 SS STEEL BALL & STEM | PORT | WP | A | B | C | D | E | F | G | H | J | L | M | N |
| 1 x 1 x 1 | 1F-F04N-SE | 1 | 3000 | 3/8" | 1 1/16" | 1 1/8" | 3/8" | 2 1/8" | 1/2" | .340 | .685 | 1 1/8" | 1 1/8" | 4 3/8" | 2 |
| 2 x 1 1/2 x 2 | 2R-F04N-SE | 1 1/2 | 3000 | 5/8" | 2 3/4" | 2 1/2" | 4/8" | 3 3/8" | 3/4" | .434 | .873 | 1 1/8" | 3 | 7 1/4" | 5 |
| 2 x 2 x 2 | 2F-F04N-SE | 2 | 2000 | 5/8" | 2 1/2" | 2 1/2" | 6/8" | 4 3/8" | 7/8" | .497 | .998 | 2 | 3 3/8" | 10 1/4" | 5 1/2" |

| BALON SERIES "F" - ALUMINUM BRONZE - GROOVED END - DIM. DATA | | | | | | | | | | | | | | | |
|--|---|-------|------|------|--------|--------|------|--------|------|------|------|--------|--------|--------|---|
| SIZE | CATALOG NO. NACE TRIM 316 SS STEEL BALL & STEM | PORT | WP | A | B | C | D | E | F | G | H | J | L | M | N |
| 2 x 1 1/2 x 2 | 2R-F04N-GE | 1 1/2 | 2000 | 5/8" | 2 3/4" | 2 1/2" | 4/8" | 3 3/8" | 3/4" | .497 | .873 | 1 1/8" | 2 1/2" | 7 1/4" | 5 |

WP is for valve standard equipped with nylon seats. See Chart, page 43. TFE ratings.