

# Series LM Screwed End

## A Simple Superior Valve

The Series LM valve is a low cost route to quality. Since introduced, it has become a favorite valve for drip service, meter hookups, blow down, emergency shutdown, and anywhere a dependable quarter turn block valve is needed.

Machined from barstock, this valve is priced low enough for low pressure service, but the rugged bolted construction assures strength and rigidity for high pressure service in the plant and in the field.

The wide ranging capability of this valve is enhanced by the 316 stainless steel ball and stem which are standard in all Series LM valves.

## General Features

- Locking device and handle
- Socket head bolting for strength.
- Multi-seal seats standard.
- Smooth uninterrupted external surfaces - no corrosion traps.
- Symmetry of design allows versatile in-line position or placement.
- Low torque operation at full rated pressure.
- Nylon seats standard with TFE optional (see chart page 42).
- NACE available.

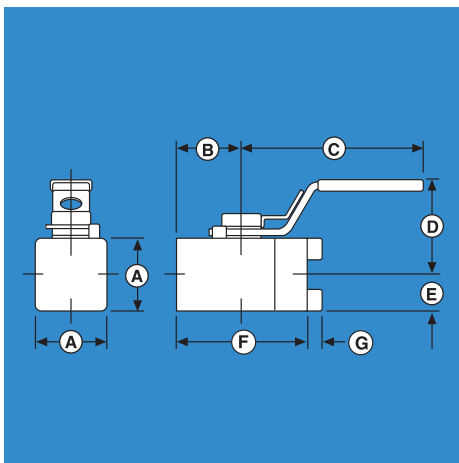
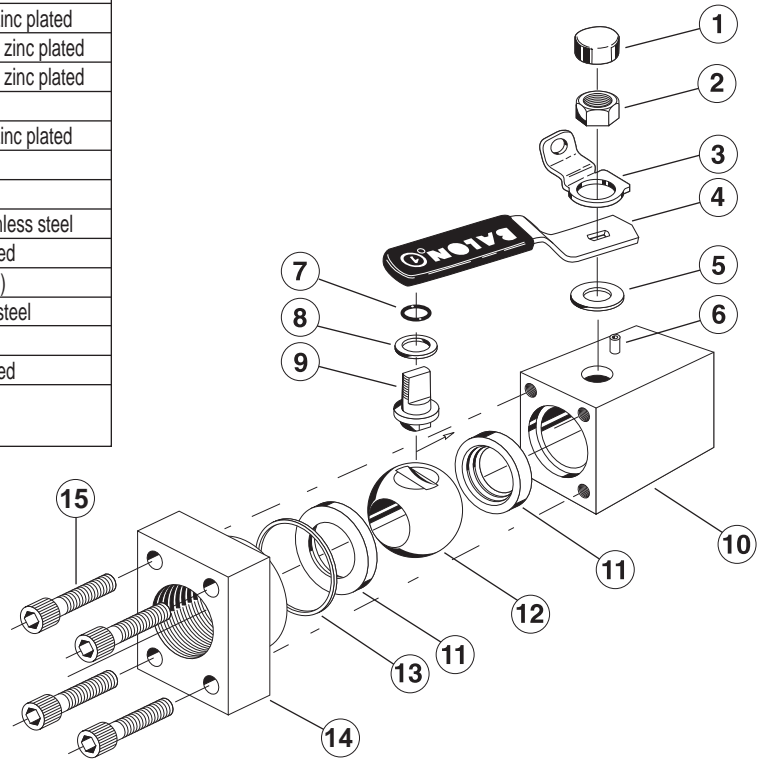


## Material Description

ITEM	PART NAME	MATERIAL DESCRIPTION (STANDARD)	MATERIAL DESCRIPTION (NACE)
1	Weather guard	Polyethylene	Polyethylene
2	Stem nut	ANSI B18.8.2-179 zinc plated	ANSI B18.8.2-179 zinc plated
3	Lock plate	AISI: 1008 HR steel zinc plated	AISI: 1008 HR steel zinc plated
4	Handle	AISI: 1008 HR steel zinc plated	AISI: 1008 HR steel zinc plated
5	Stem washer	Acetal	Acetal
6	Stop Pin	ANSI B18.8.2-179 zinc plated	ANSI B18.8.2-179 zinc plated
7	Stem O-ring	Buna	Fluorocarbon
8	Stem seal	TFE	TFE
9	Stem	AISI: Type 316 stainless steel	AISI: Type 316 stainless steel
10	Body	AISI: 1215 zinc plated	AISI: 1018 zinc plated
11	Ball seat	Nylon (TFE optional)	Nylon (TFE optional)
12	Ball	AISI: 316 stainless steel	AISI: 316 stainless steel
13	Body seal	Buna	Fluorocarbon
14	End adapter	AISI: 1215 zinc plated	AISI: 1018 zinc plated
15	Body bolts	ANSI B18.3-1982 ANSI ASTM A/574-1980	ASTM A-193-B7M

\* Handle and locking device standard on all Series LM ball valves.

## Lever Operated Bolted Body Construction 3000 PSI W.P.



## Dimensions

BALON 3000 PSI WP - SERIES "LM" BALON BALL VALVE - DIM. DATA												
SIZE	CAT. NO.		PORT	WP	A	B	C	D	E	F	G	
	STANDARD TRIM 316 STAINLESS STEEL BALL & STEM	NACE TRIM 316 STAINLESS STEEL BALL & STEM										
1/4 x 3/8 x 1/4	LM-02362	LM-02362-N	3/4	3000	1 1/4	1 1/8	3 1/2	1 1/8	3/8	2 1/4	1/4	
1/2 x 3/8 x 1/2	LM-05361	LM-05361-N										
3/4 x 3/4 x 3/4	LM-07362	LM-07362-N	3/4	3000	2	1 1/16	4 1/8	2 1/4	1	3 3/8	3/8	
1 x 3/4 x 1	LM-10361	LM-10361-N										

All Series LM available with NACE trim.

WP is for valve equipped with standard nylon seats. See Chart on page 43 for TFE ratings.

All Series LM available with NACE trim.