

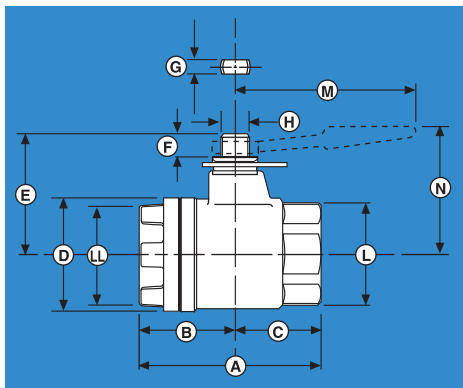
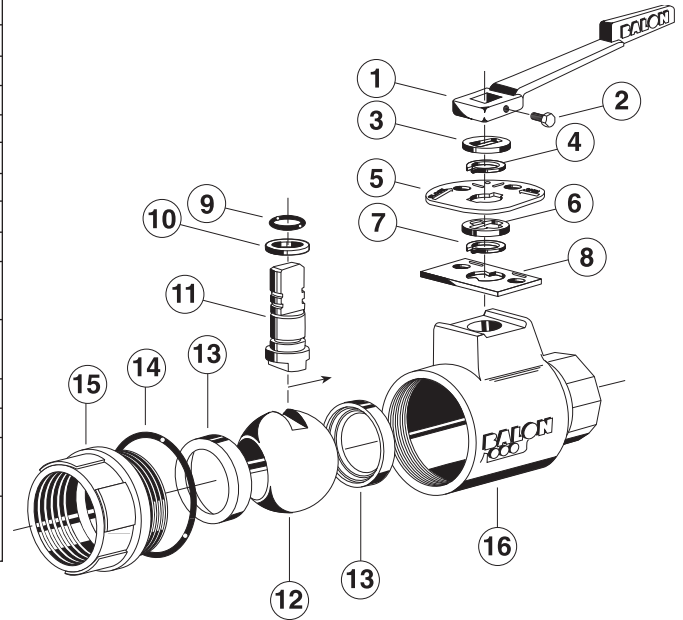
## Material Description

ITEM	PART NAME	MATERIAL (STANDARD)	MATERIAL STAINLESS STEEL (NACE)
1	Handle*	Ductile iron	Ductile iron
2	Handle bolt	Standard hex bolt	Standard hex bolt
3	Weather guard	Polyethylene	Polyethylene
4	Lock plate retainer	Carbon spring steel	Carbon spring steel
5	Lock plate	Carbon steel - zinc plated	Carbon steel - zinc plated
6	Dust cover	Polyethylene	Polyethylene
7	Stop plate retainer	Carbon spring steel	Carbon spring steel
8	Stop plate	Carbon steel zinc plated	Carbon steel zinc plated
9	Stem O-ring	Buna	Fluorocarbon
10	Stem seal	TFE	TFE
11	Stem	Stress proof zinc plated ASTM A311-79 Class B	AISI A-316 stainless steel annealed ASTM A-276-316
12	Ball	AISI 1018 nickel chrome plated	ASTM A-743-CF8M annealed stainless steel
13	Ball seat	Nylon-Acetal	Nylon-Acetal
14	Body O-ring	Buna	Fluorocarbon
15	End adapter	ASTM 216 grade WCB annealed carbon steel	ASTM 216 grade WCB annealed carbon steel
16	Body	ASTM 216 grade WCB annealed carbon steel	ASTM 216 grade WCB annealed carbon steel

\* Balon valves are designed to be operated with a standard open-end wrench.

Handle and Handle Bolt are optional.

## Lever Operated Threaded Construction To 3000 PSI WP



## Dimensions

BALON SERIES "S" SCREWED END - DIM. DATA																
SIZE	CAT. NO.		PORT	WP	A	B	C	D	E	F	G	H	L	LL	M	N
	STANDARD TRIM CARBON STEEL BALL & STEM	NACE TRIM 316 STAINLESS STEEL BALL & STEM														
1x1x1	1F-S93-SE	1F-S93N-SE	1	2500	4	2	2	2 3/4	2 3/8	1/2	0.340	.685	2 1/8	2	4 3/8	2
1x1x1	1F-S03-SE	1F-S03N-SE	1	3000	4	2	2	2 3/4	2 3/8	1/2	0.340	.685	2 1/8	2	4 3/8	2
2x1 1/2x2	2R-S93-SE	2R-S93N-SE	1 1/2	2500	5 1/2	2 3/4	2 3/4	4 1/4	3 3/8	3/4	0.434	.873	3 1/2	3 3/2	7 1/4	5
2x1 1/2x2	2R-S03-SE	2R-S03N-SE	1 1/2	3000	5 1/2	2 3/4	2 3/4	4 1/4	3 3/8	3/4	0.434	.873	3 1/2	3 3/2	7 1/4	5
2x2x2	2F-S03-SE	2F-S03N-SE	2	3000	6	3 3/8	2 1/2	4 1/8	4 3/8	3/4	0.497	.998	3 1/2	3 3/2	10 1/4	5 3/8
2x2x2	2F-S93-SE	2F-S93N-SE	2	2500	6	3 3/8	2 1/2	4 1/8	4 3/8	3/4	0.497	.998	3 1/2	3 3/2	10 1/4	5 3/8

All Series S available with 316 SS and NACE.