

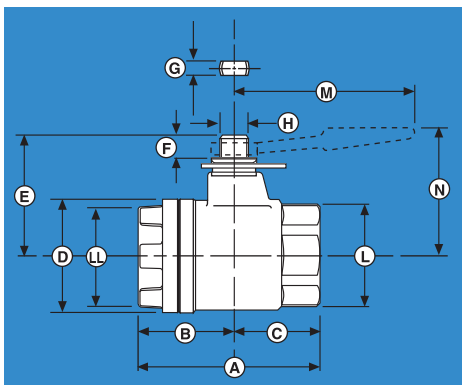
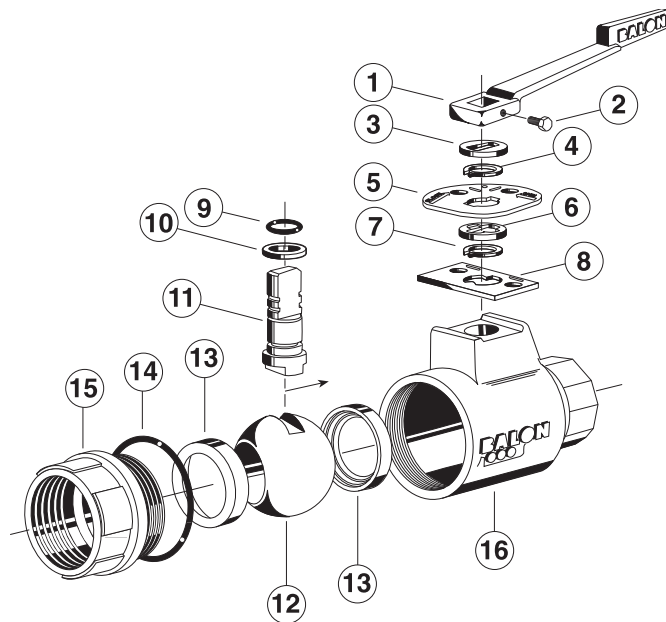
## Material Description

ITEM	PART NAME	MATERIAL STAINLESS STEEL (STANDARD NACE)
1	Handle*	Ductile iron
2	Handle bolt	Standard hex bolt
3	Weather guard	Polyethylene
4	Lock plate retainer	Stainless steel
5	Lock plate	Stainless steel
6	Dust cover	Polyethylene
7	Stop plate retainer	Stainless steel
8	Stop plate	Stainless steel
9	Stem O-ring	Fluorocarbon
10	Stem seal	TFE
11	Stem	AISI A-316 stainless steel annealed ASTM A-276-316
12	Ball	ASTM A-743-CF8M/316 annealed stainless steel
13	Ball seat	Acetal-nylon
14	Body O-ring	Fluorocarbon
15	End adapter	ASTM A351-CF8M annealed stainless steel
16	Body	ASTM A351-CF8M annealed stainless steel

\* Balon valves are designed to be operated with a standard open-end wrench.

Handle and Handle Bolt are optional.

Lever Operated  
Threaded Construction  
To 3000 PSI WP



## Dimensions

BALON SERIES "S" SCREWED END - DIM. DATA															
SIZE	NACE TRIM 316 STAINLESS STEEL BALL & STEM	CAT. NO. PORT	WP	A	B	C	D	E	F	G	H	L	LL	M	N
1x1x1	1F-S05N-SE	1	3000	4	2	2	2 1/4	2 3/8	1/2	0.340	.685	2 1/16	2	4 7/8	2
2x1 1/2x2	2R-S95N-SE	1 1/2	2000	5 1/2	2 3/4	2 3/4	4 1/4	3 3/8	3/4	0.434	.873	3 1/2	3 1/2	7 1/4	5
2x1 1/2x2	2R-S05N-SE	1 1/2	3000	5 1/2	2 3/4	2 3/4	4 1/4	3 3/8	3/4	0.434	.873	3 1/2	3 1/2	7 1/4	5
2x2x2	2F-S95N-SE	2	2000	6	3 3/8	2 3/8	4 3/8	4 3/8	3/4	0.497	.998	3 1/2	3 1/2	10 1/4	5 1/2
2x2x2	2F-S05N-SE	2	3000	6	3 3/8	2 3/8	4 3/8	4 3/8	3/4	0.497	.998	3 1/2	3 1/2	10 1/4	5 1/2