

# Series US Weld X Weld

---

The Series US weld end ball valve provides a stronger, more durable, easier operating and a better sealing valve that is dramatically superior to others on the market.

## General Features

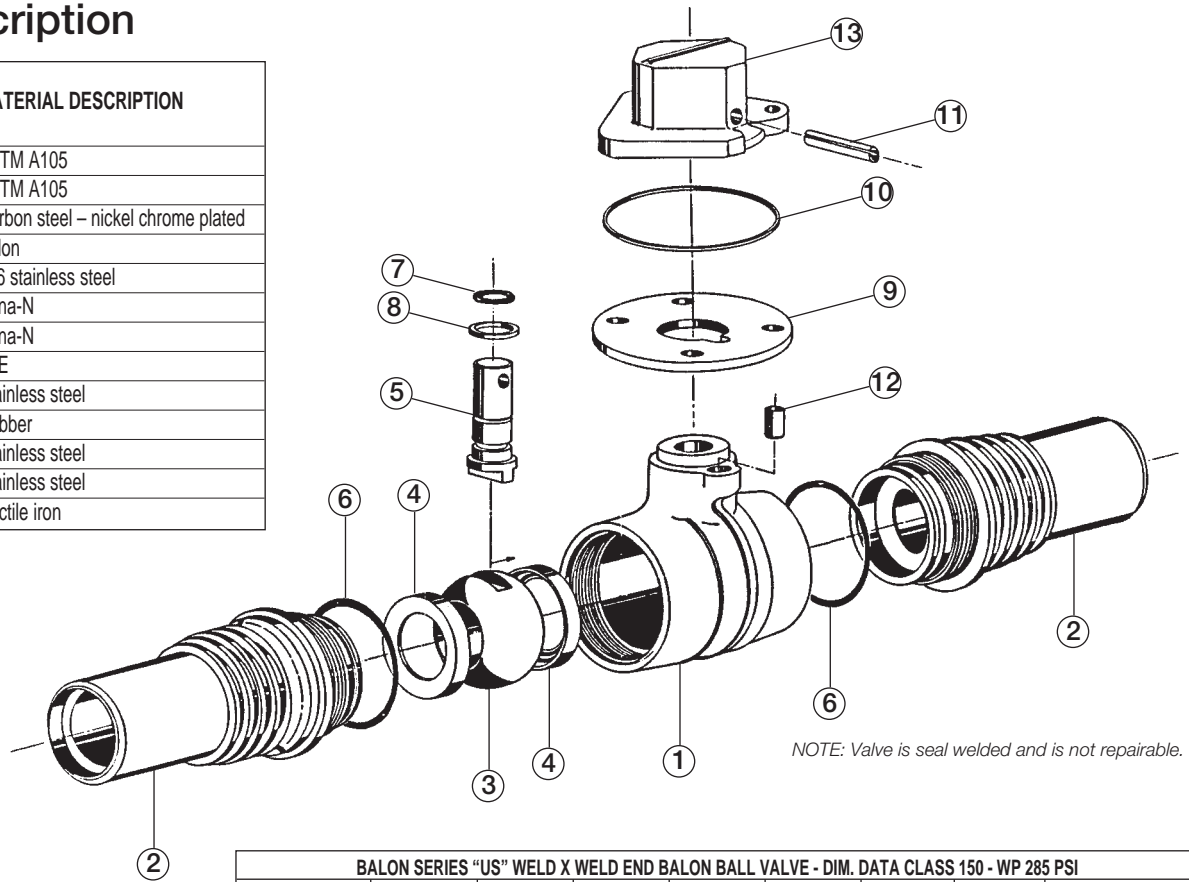
- Heat dissipating fins provide an extra margin of protection for the resilient seats and seals by dissipating the heat imposed during the final welding process.
- MULTI-SEAL grooved and tapered seats provide tighter sealing and easier operation at high and low operating pressures.
- Heavy duty stainless steel 3/8" diameter stops.
- Heavy Duty forged steel components.

- Solid balls which have a straight through flow path instead of being concave or hollow, thus reducing turbulence and pressure drop.



## Material Description

ITEM	PART NAME	MATERIAL DESCRIPTION
1	Body	ASTM A105
2	Adapter	ASTM A105
3	Ball	Carbon steel – nickel chrome plated
4	Seats	Nylon
5	Stem	316 stainless steel
6	Body O-ring	Buna-N
7	Stem O-ring	Buna-N
8	Stem seal	TFE
9	Lock plate	Stainless steel
10	Weather seal	Rubber
11	Roll pin	Stainless steel
12	Stop pin	Stainless steel
13	Drive nut, 2" square	Ductile iron



BALON SERIES "US" WELD X WELD END BALON BALL VALVE - DIM. DATA CLASS 150 - WP 285 PSI								
SIZE	A PORT	B	C	D	E	F	Cv	CAT. NO.
2 x 1½ x 2	1½	11.8	5	3¾	2	4½	148	2R-US13-BW
2 x 2 x 2	2	11.8	5½	4½	2	4½	*	2F-US13-BW
3 x 2½ x 3	2½	11.8	6¾	5¼	2	4½	550	3R-US13-BW
3 x 3 x 3	3	11.8	6¾	6¼	2	4½	*	3F-US13-BW
4 X 3 X 4	3	12.8	6¾	6¼	2	4½	662	4R-US13-BW
4 X 4 X 4	4	12.8	7½	6¾	2	4½	*	4F-US13-BW
6 X 4 X 6	4	13.8	7½	6¾	2	4½	800	6R-US13-BW

BALON SERIES "US" WELD X WELD END BALON BALL VALVE - DIM. DATA CLASS 300 - WP 740 PSI								
SIZE	A PORT	B	C	D	E	F	Cv	CAT. NO.
2 x 1½ x 2	1½	11.8	5	3¾	2	4½	148	2R-US33-BW
2 x 2 x 2	2	11.8	5½	4½	2	4½	*	2F-US33-BW
3 x 2½ x 3	2½	11.8	6¾	5¼	2	4½	550	3R-US33-BW
3 x 3 x 3	3	11.8	6¾	6¼	2	4½	*	3F-US33-BW
4 X 3 X 4	3	12.8	6¾	6¼	2	4½	662	4R-US33-BW
4 X 4 X 4	4	12.8	7½	6¾	2	4½	*	4F-US33-BW
6 X 4 X 6	4	13.8	7½	6¾	2	4½	800	6R-US33-BW

\* Equal to equivalent length of pipe.

