



CHECK VALVES- WELDED BONNET- FULL PORT

BONNEY FORGE

2500 LTD.

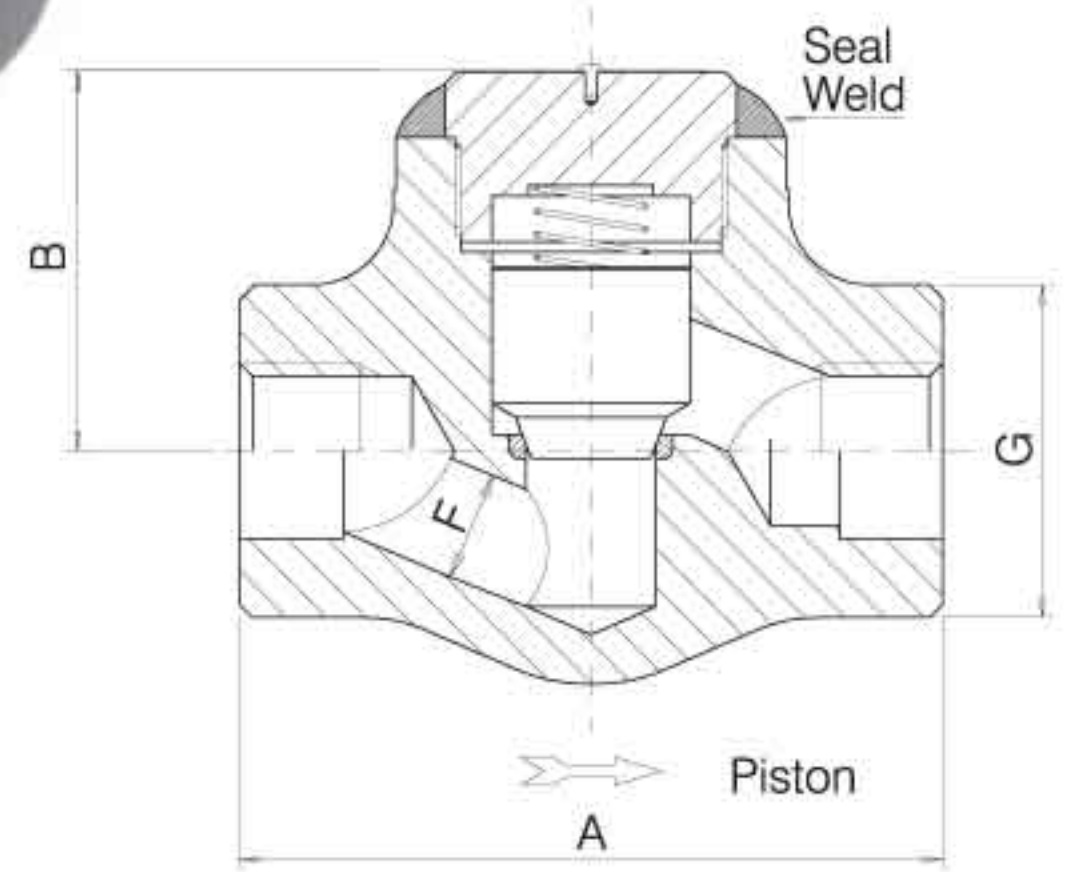
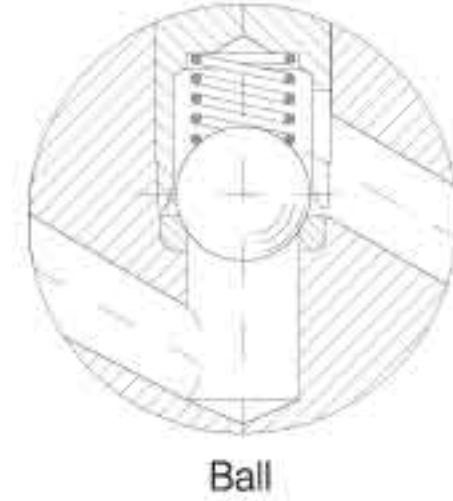
4500 LTD.

Design construction:

ASME B16.34 Limited Class
 Testing according to API 598
 Marking MSS SP25
 Spring on request only
 Body bonnet weld to ASME IX
 Socket Weld Ends to ASME B16.11
 Screwed Ends (NPT) to ASME B1.20.1
 Butt Welding Ends to ASME B16.25

Ratings:

- carbon steel class 2500 6250 psig @ 100°F
 431 bar + 38°C
- carbon steel class 4500 11250 psig @ 100°F
 776 bar + 38°C



| 2500 LTD. | | FULL PORT – FIG. 25W 40 - 25W 50 | | | | | | | |
|-----------|------------|----------------------------------|-------------|-------------|--------------|-------------|-------------|-------------|--|
| SIZE | inch mm | 1/4 6 | 3/8 10 | 1/2 15 | 3/4 20 | 1 25 | 1 1/2 40 | 2 50 | |
| A | inch mm | 4.33 110 | 4.33 110 | 5 127 | 5.91 150 | 7.09 180 | 8.27 210 | 9.06 230 | |
| B | inch mm | 2.76 70 | 2.76 70 | 3.39 86 | 3.62 92 | 4.33 110 | 5.91 150 | 7.09 180 | |
| F | inch mm | .28 7 | .35 9 | .43 11 | .57 14.5 | .75 19 | 1.10 28 | 1.38 35 | |
| G | inch mm | 1.89 48 | 1.89 48 | 2.20 56 | 2.52 64 | 3.07 78 | 3.35 85 | 3.74 95 | |
| Weight | lb. kg | 7 3.2 | 7 3.2 | 8.25 3.8 | 12.25 5.6 | 22 10 | 35.25 16 | 46.25 21 | |

| 4500 LTD. | | FULL PORT – FIG. 45W 40 - 45W 50 | | | | | | | |
|-----------|------------|----------------------------------|------------|------------|-------------|-------------|--------------|-------------|--|
| SIZE | inch mm | 1/4 6 | 3/8 10 | 1/2 15 | 3/4 20 | 1 25 | 1 1/2 40 | 2 50 | |
| A | inch mm | 5 127 | 5 127 | 5 127 | 7.09 180 | 7.09 180 | 9.06 230 | 9.06 230 | |
| B | inch mm | 3.54 90 | 3.54 90 | 3.54 90 | 4.33 110 | 4.33 110 | 7.09 180 | 7.68 195 | |
| F | inch mm | .28 7 | .28 7 | .31 8 | .43 11 | .55 14 | .98 25 | 1.26 32 | |
| G | inch mm | 2.20 56 | 2.20 56 | 2.20 56 | 3.07 78 | 3.07 78 | 3.74 95 | 4.72 120 | |
| Weight | lb. kg | 8.5 3.9 | 8.5 3.9 | 8.5 3.9 | 23 10.5 | 23 10.5 | 55.5 25.2 | 59.5 27 | |

Available with Socket Weld or Butt-Weld Ends only.
 Materials and trim specifications Page 91