



GLOBE VALVES- WELDED BONNET- FULL & REDUCED PORT

BONNEY FORGE

800 LB.

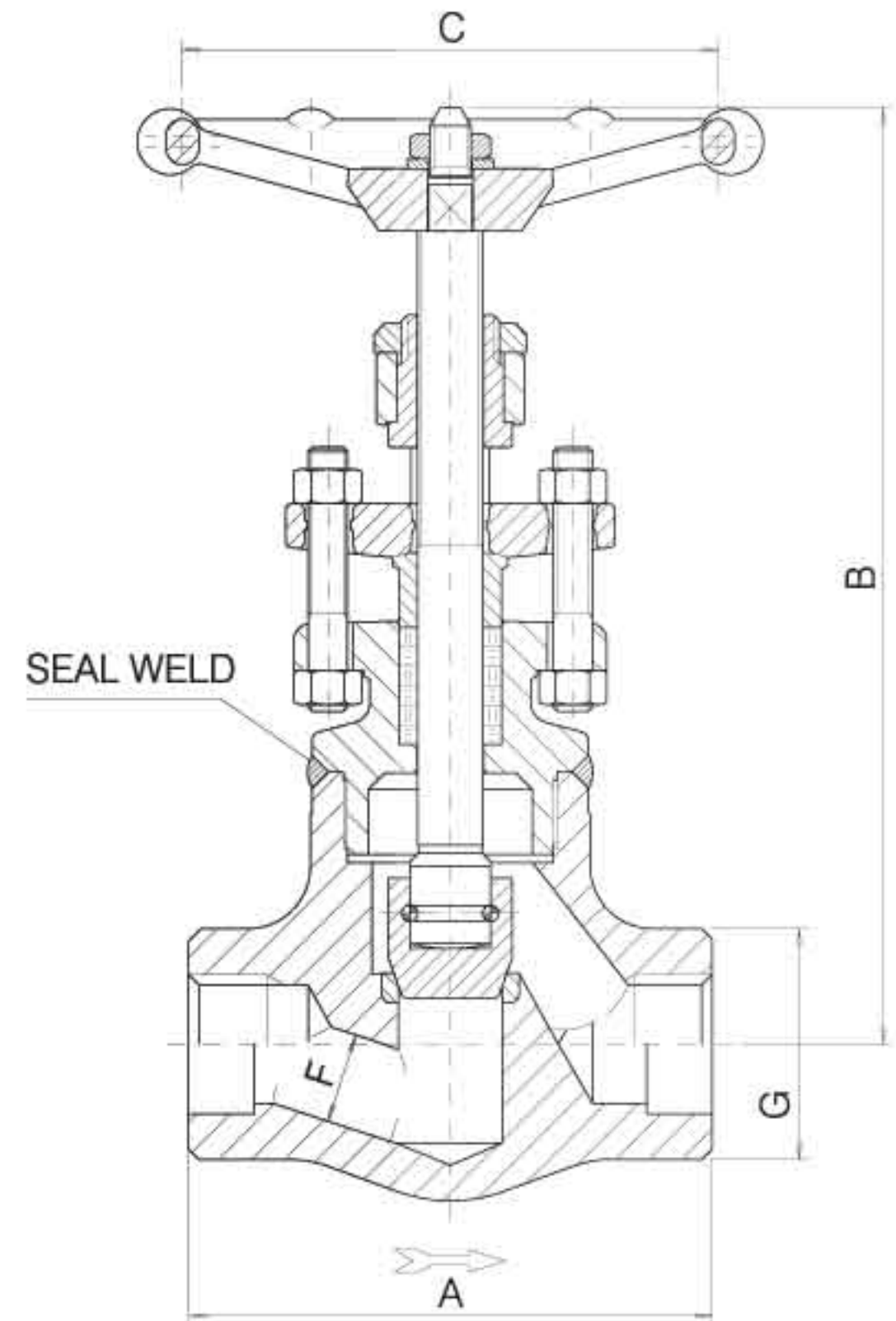
1500 LB.

Design construction:

- ASME B16.34 - BS 5352
- Testing according to API 598
- Marking MSS SP25
- Outside Screw and Yoke (OS&Y)
- Self aligning two piece packing gland
- Integral backseat
- Body bonnet weld to ASME IX
- Loose solid disc
- Socket Weld Ends to ASME B16.11
- Screwed Ends (NPT) to ASME B1.20.1
- Butt Welding Ends to ASME B16.25

Ratings:

- carbon steel class 800 1975 psig @ 100°F
138 bar + 38°C
- carbon steel class 1500 3705 psig @ 100°F
255 bar + 38°C



800 LB.		FULL PORT – FIG. W 30								
SIZE	inch mm	1/4 6	3/8 10	1/2 15	3/4 20	1 25	1 1/4 32	1 1/2 40	2 50	
A	inch mm	3.15 80	3.15 80	3.54 90	4.33 110	5 127	5.91 150	7.09 180	8.27 210	
B open	inch mm	6.54 166	6.54 166	6.73 171	8.39 213	9.72 247	10.12 258	11.81 300	14.76 375	
C	inch mm	3.46 88	3.46 88	3.46 88	3.82 97	5.43 138	5.43 138	6.77 172	6.77 172	
F	inch mm	.28 7	.35 9	.51 13	.69 17.5	.89 22.5	1.16 29.5	1.38 35	1.77 45	
G	inch mm	1.26 32	1.26 32	1.5 38	1.89 48	2.20 56	2.52 64	3.07 78	3.35 85	
Weight	lb. kg	3.75 1.7	3.75 1.8	4.25 2	6.5 3	11 5	14.75 6.8	24.25 11	36.25 16.5	
PACKING		BH3	BH3	BH3	BH5	BY5	BY5	BY7	BH8	

800 LB.		REDUCED PORT – FIG. WL 30					
SIZE	inch mm	1/2 15	3/4 20	1 25	1 1/2 40	2 50	
A	inch mm	3.15 80	3.54 90	4.33 110	5.91 150	7.09 180	
B open	inch mm	6.54 166	6.73 171	8.39 213	10.12 258	11.81 300	
C	inch mm	3.46 88	3.46 88	3.82 97	5.43 138	6.77 172	
F	inch mm	.35 9	.51 13	.69 17.5	1.16 29.5	1.38 35	
G	inch mm	1.26 32	1.5 38	1.89 48	2.52 64	3.07 78	
Weight	lb. kg	3.75 1.7	4.25 2	6.5 3	14.5 6.6	22.75 10.4	
PACKING		BH3	BH3	BH5	BY5	BY7	

1500 LB.		FULL PORT – FIG. 9W 30								
SIZE	inch mm	1/4 6	3/8 10	1/2 15	3/4 20	1 25	1 1/4 32	1 1/2 40	2 50	
A	inch mm	3.54 90	3.54 90	4.33 110	5 127	5.91 150	7.09 180	8.27 210	9.06 230	
B open	inch mm	6.54 166	6.54 166	8.27 210	9.72 247	10.08 256	11.81 300	14.76 375	16.85 428	
C	inch mm	3.46 88	3.46 88	3.82 97	5.43 138	5.43 138	6.77 172	6.77 172	9.21 234	
F	inch mm	.28 7	.35 9	.47 12	.59 15	.79 20	1.06 27	1.26 32	1.57 40	
G	inch mm	1.5 38	1.5 38	1.89 48	2.20 56	2.52 64	3.07 78	3.35 85	3.74 95	
Weight	lb. kg	4.75 2.2	4.75 2.2	7.75 3.5	12 5.5	16.75 7.6	22 10	44 20	66 30	
PACKING		BH3	BH3	BH5	2B4	2B4	2B5	BH8	2B8	

1500 LB.		REDUCED PORT – FIG. 9WL 30					
SIZE	inch mm	1/2 15	3/4 20	1 25	1 1/2 40	2 50	
A	inch mm	3.54 90	4.33 110	5 127	7.09 180	8.27 210	
B open	inch mm	6.54 166	8.27 210	9.72 247	11.81 300	14.76 375	
C	inch mm	3.46 88	3.82 97	5.43 138	6.77 172	6.77 172	
F	inch mm	.35 9	.47 12	.59 15	1.06 27	1.26 32	
G	inch mm	1.5 38	1.89 48	2.20 56	3.07 78	3.35 85	
Weight	lb. kg	4.25 2	7.75 3.5	12 5.5	26.25 12	41.75 19	
PACKING		BH3	BH5	2B4	2B5	BH8	