



GLOBE VALVES- WELDED BONNET- FULL PORT (Y TYPE)

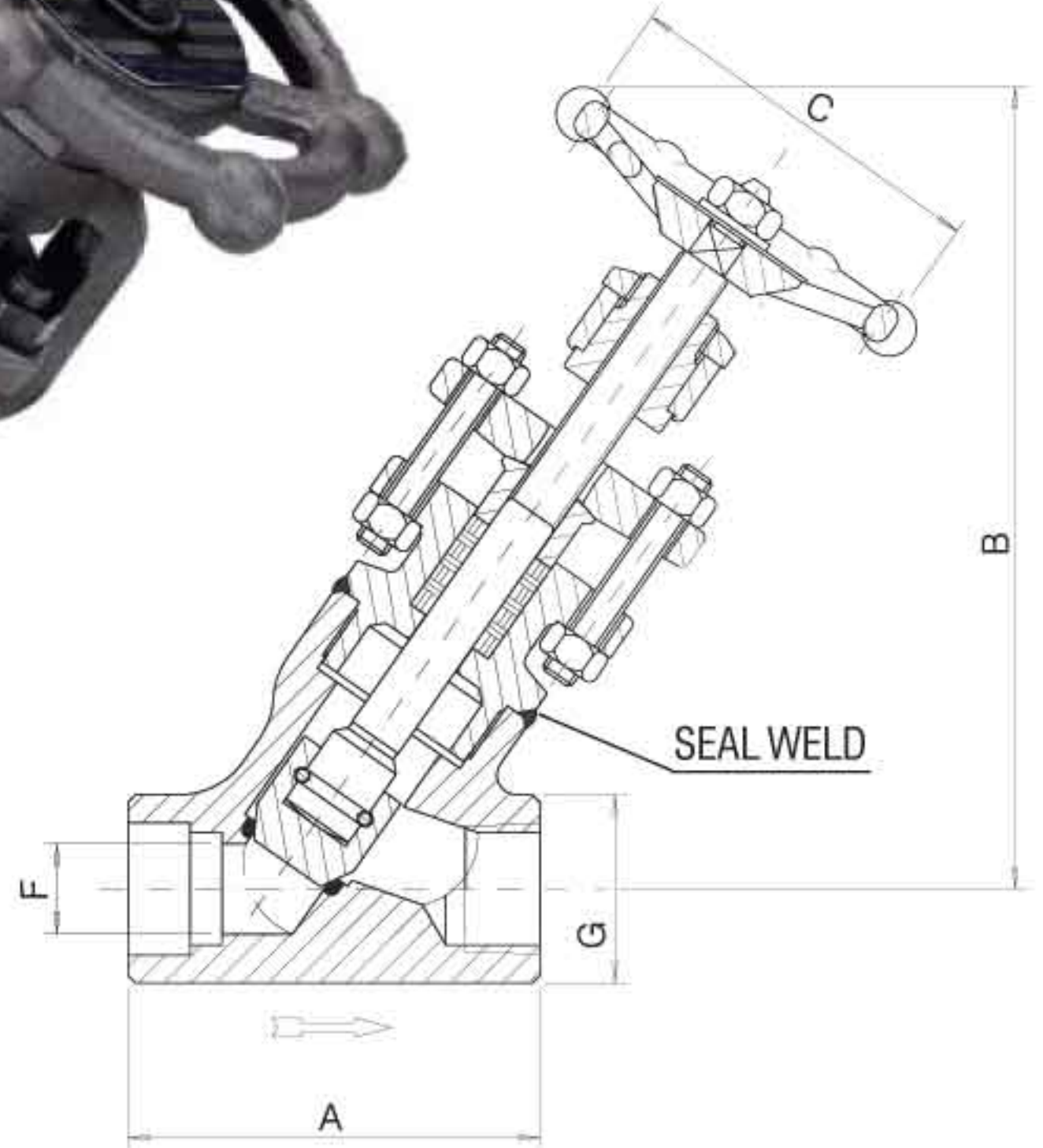
BONNEY FORGE

2680 LTD.

4500 LTD.

Design construction:

- ASME B16.34 Limited Class
- Testing according to API 598
- Marking MSS SP25
- Outside Screw and Yoke (OS&Y)
- Self aligning two piece packing gland
- Integral backseat
- Body bonnet weld to ASME IX
- Loose solid disc
- Socket Weld Ends to ASME B16.11
- Screwed Ends (NPT) to ASME B1.20.1
- Butt Welding Ends to ASME B16.25
- Ratings:
 - carbon steel class 2680 6700 psig @ 100°F
462 bar + 38°C
 - carbon steel class 4500 11250 psig @ 100°F
776 bar + 38°C



FULL PORT – FIG. 2680Y 30								
SIZE	inch mm	1/4 6	3/8 10	1/2 15	3/4 20	1 25	1 1/2 40	2 50
A	inch mm	4.13 105	4.13 105	4.72 120	6.5 165	6.5 165	7.48 190	8.66 220
B open	inch mm	8.66 220	8.66 220	9.45 240	10.83 275	12.20 310	14.17 360	17.32 440
C	inch mm	3.46 88	3.46 88	5.43 138	5.43 138	5.43 138	6.77 172	9.21 234
F	inch mm	.28 7	.35 9	.43 11	.57 14.5	.75 19	1.10 28	1.38 35
G	inch mm	1.89 48	1.89 48	2.20 56	3.07 78	3.07 78	3.35 85	3.74 95
Weight	lb. kg	7.75 3.5	7.75 3.5	11 5	25.25 11.5	27.5 12.5	37.25 17	57.25 26
PACKING		BH4	BH4	2B3	2B4	2B5	2B5	2B8

Note: Thread End Valves are limited to ASME B16.34, 2500 Pressure Class.

FULL PORT – FIG. 45Y 30								
SIZE	inch mm	1/4 6	3/8 10	1/2 15	3/4 20	1 25	1 1/2 40	2 50
A	inch mm	4.72 120	4.72 120	4.72 120	6.5 165	6.5 165	8.66 220	9.06 230
B open	inch mm	9.45 240	9.45 240	9.65 245	12.01 305	12.20 310	16.54 420	17.72 450
C	inch mm	5.43 138	5.43 138	5.43 138	6.77 172	6.77 172	9.21 234	15.75 400
F	inch mm	.28 7	.28 7	.31 8	.43 11	.55 14	.98 25	1.26 32
G	inch mm	2.20 56	2.20 56	2.20 56	3.07 78	3.07 78	3.74 95	4.72 120
Weight	lb. kg	12 5.5	12 5.5	12.25 5.6	30.75 14	30.75 14	61.75 28	70.5 32
PACKING		2B3	2B3	2B3	2B4A	4B5	2B8	4B8

Available with Socket Weld or Butt-Weld Ends only.

Materials and trim specifications Page 91