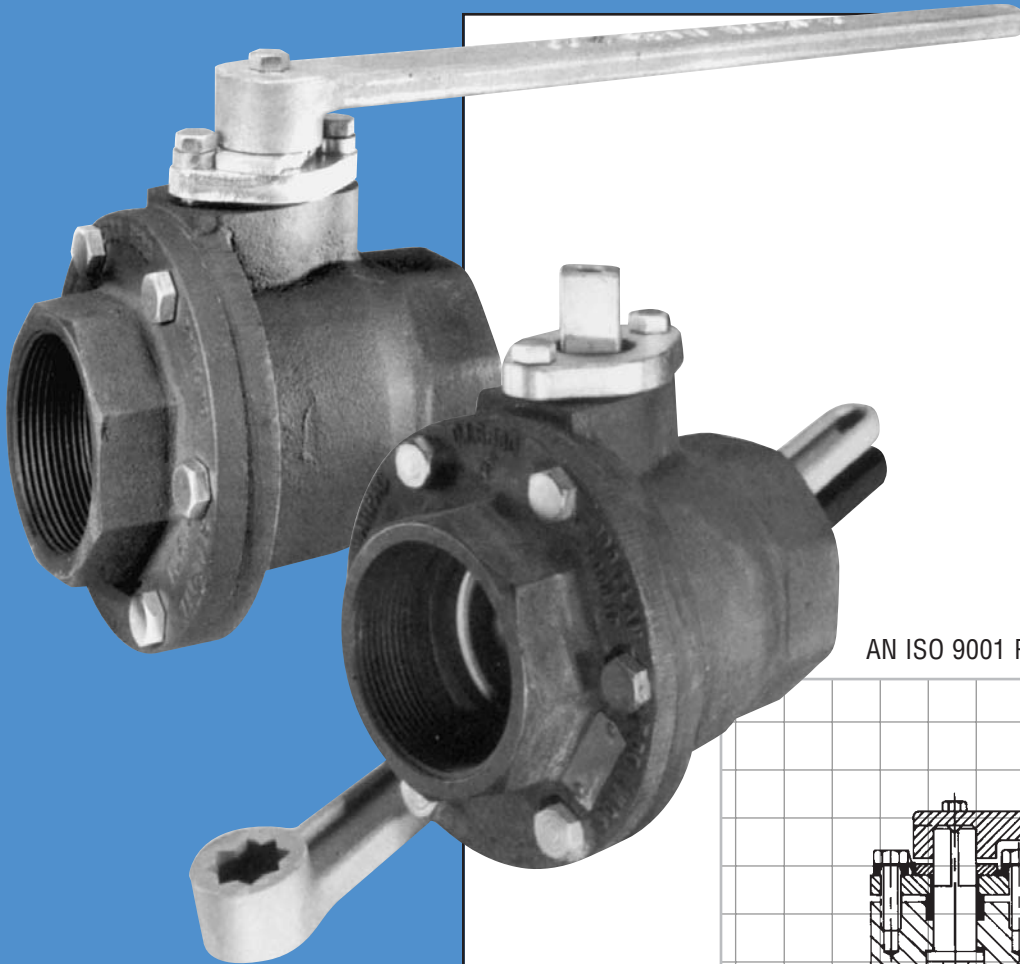


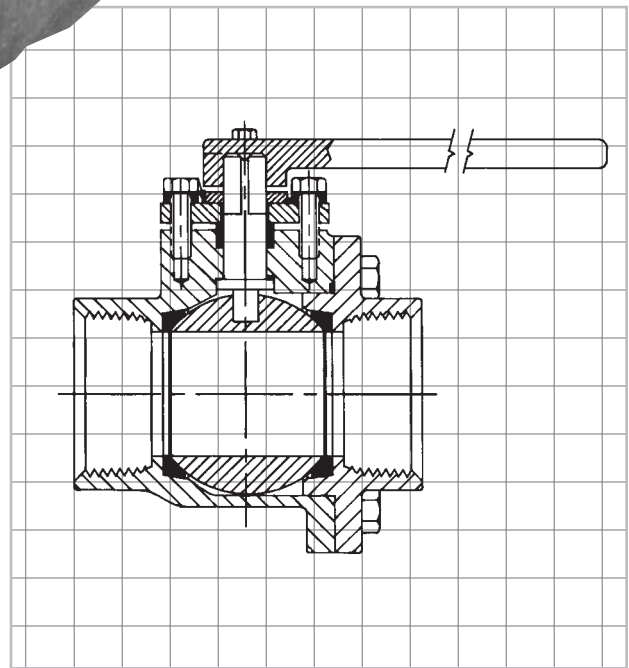


# McCANNA/MARPAC Valves

R0104-R1



AN ISO 9001 REGISTERED COMPANY



## **Model DI-B800 Ball Valve** *3" Threaded End Oversize Port*

# MARPAC-McCANNA® Model DI-B800 Ball Valve

The MARPAC Model DI-B800 is one of the few 3" threaded end ball valves available. Where space is limited, and weight is a concern, the DI-B800 offers an attractive alternative to a larger, heavier flanged valve. It is also a more economical choice, having a lower initial cost, as well as lower installation labor and materials cost.

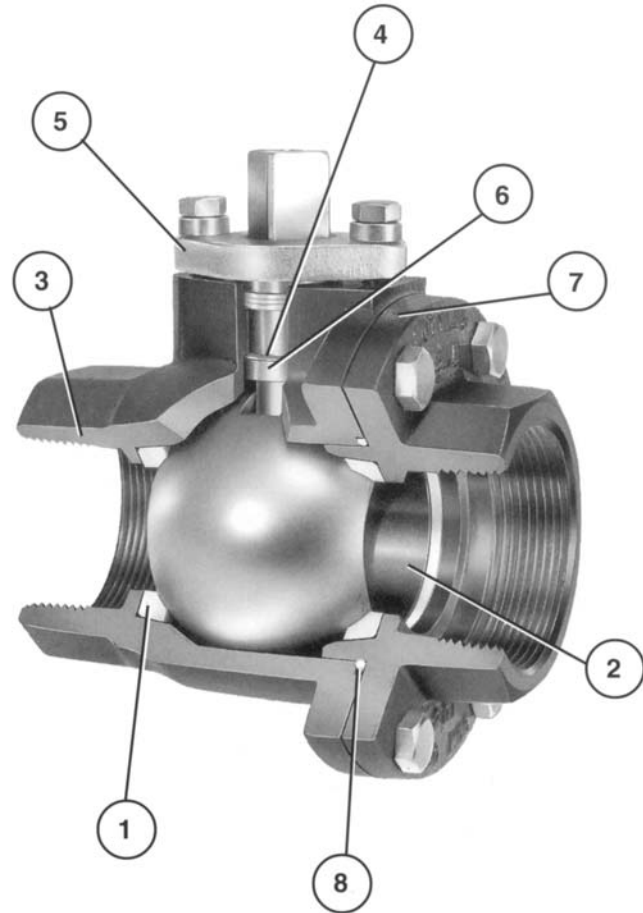
The compact design of the Model DI-B800 is particularly well suited to tank and transport truck applications, and its oversize ball port and

straight-through design permit high flow rates with minimal pressure drop. TFE seats and seals provide bubble tight shut off, and no external leakage.

The Model DI-B800 is available with Underwriters' Laboratories listing for both L. P. Gas shutoff and flammable fluid shut off services. These listings are to the full pressure rating of the valve (500 PSIG).

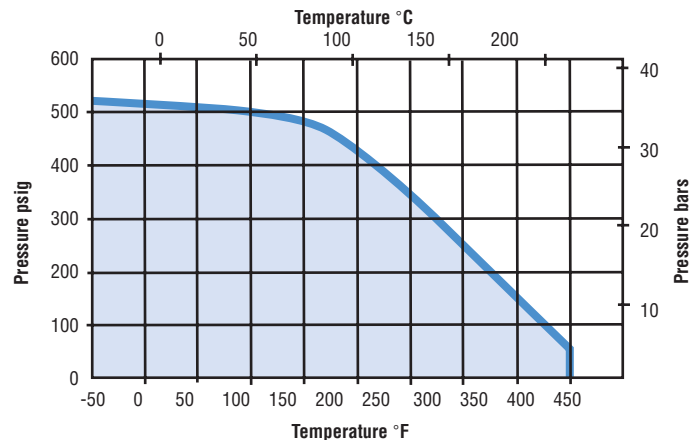
## Features and Benefits

- 1. Rugged, reliable seat design.** The heavy section TFE seats provide dependable bidirectional bubble-tight shut off over the full pressure range of the valve.
- 2. The oversize port** (88% full port) provides the highest flow coefficient of any 3" non-full port valve available.
- 3. Heavy wall, 60-40-18 ductile iron body** for strength and economy.
- 4. Reinforced TFE thrust washer** ensures smooth, low torque operation at high pressures, and in frequent cycling applications.
- 5. Heavy bolted gland** permits adjustment of stem seals to compensate for wear in operation. The 3-piece stem seal design provides reliable sealing, suitable for vacuum service.
- 6. Internal entry, blowout proof stem** ensures safety in operation. Top of stem is provided with a milled groove indicating ball port position when handle is removed.
- 7. The 2-piece radially split, bolted body design** allows easy replacement of seats and seals, if needed, while providing strength to resist piping loads and deformation.
- 8. The TFE body seal** is totally encapsulated, eliminating potential "cold flow", and is a controlled compression design to ensure joint integrity.

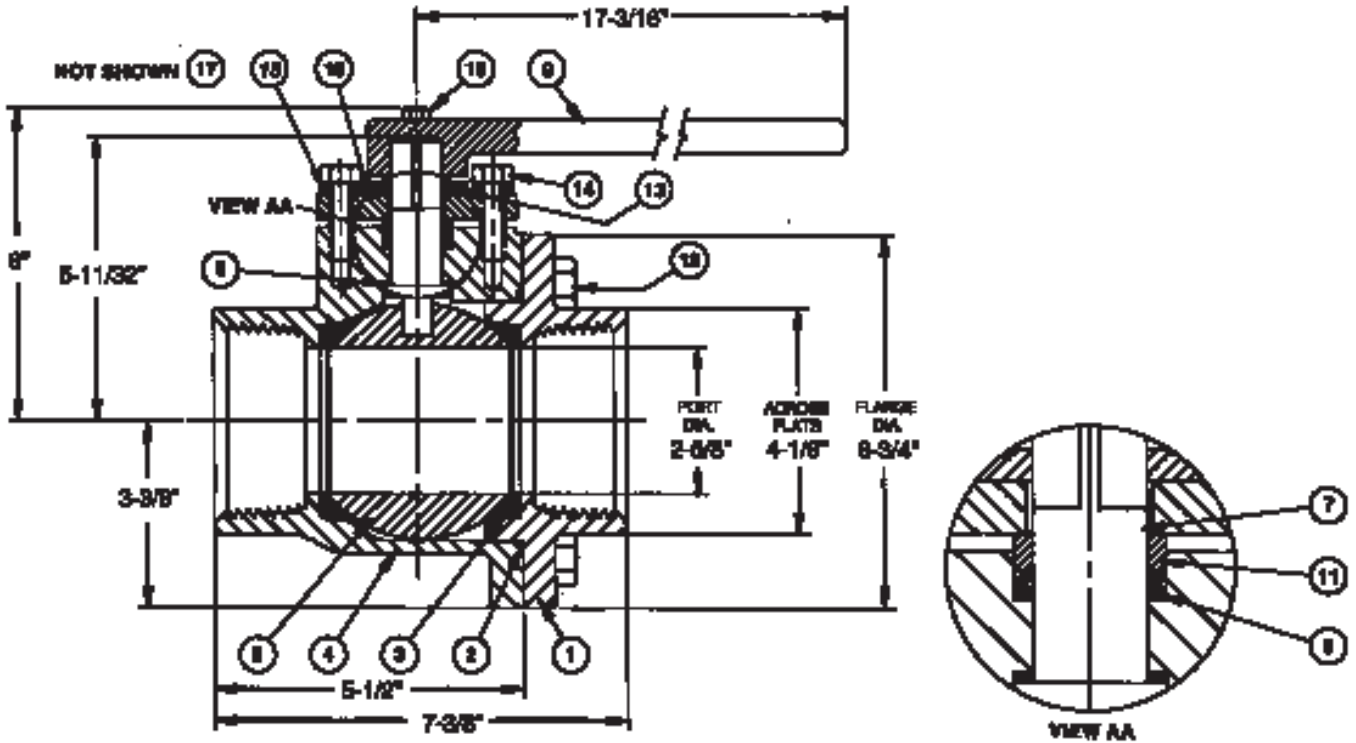


## Specifications

- **Size:** 3" NPT
- **Operating Temperature Range:** -20°F to 400°F
- **Operating Pressure Range:** 0 to 500 psig
- **Flow Coefficient:** Cv = 400
- **Saturated Steam Rating:** 150 psig max
- **Available for UL Listed Services:**  
 L.P. Gas Shutoff (Category YSDT) 500 psig  
 Flammable Fluid Shutoff (Category YRBX) 500 psig



### Dimensions



### Parts and Materials Identification

Part No.	Description	Material
1	Body End	Ductile Iron to ASTM A395-77
2	Body Seal	TFE
3	Seat (2)	TFE
4	Body	Ductile Iron to ASTM A395-77,
5	Ball*	316 Stainless Steel
6	Thrust Washer	RTFE
7	Stem*	Carbon Steel, Zinc Plated
8	Stem Packing (3)	TFE

Part No.	Description	Material
9	Handle	Cast Aluminum
10	Handle Bolt	Carbon Steel, Zinc Plated
11	Gland	Carbon Steel, Zinc Plated
12	Body Bolts (6)	Carbon Steel, Zinc Plated
13	Stop Plate	Carbon Steel, Zinc Plated
14	Gland Bolt (2)	Carbon Steel, Zinc Plated
15	Stop Washer	Carbon Steel, Zinc Plated
16	Gland Flange	Carbon Steel, Zinc Plated
17	Stop Plate Set Screw	Carbon Steel, Zinc Plated

\* Standard trim is carbon steel stem with 316 stainless steel ball, Type 316 stainless steel stem is optional.

## How to Specify and Order

### MARPAC DI-B800 Ball Valves

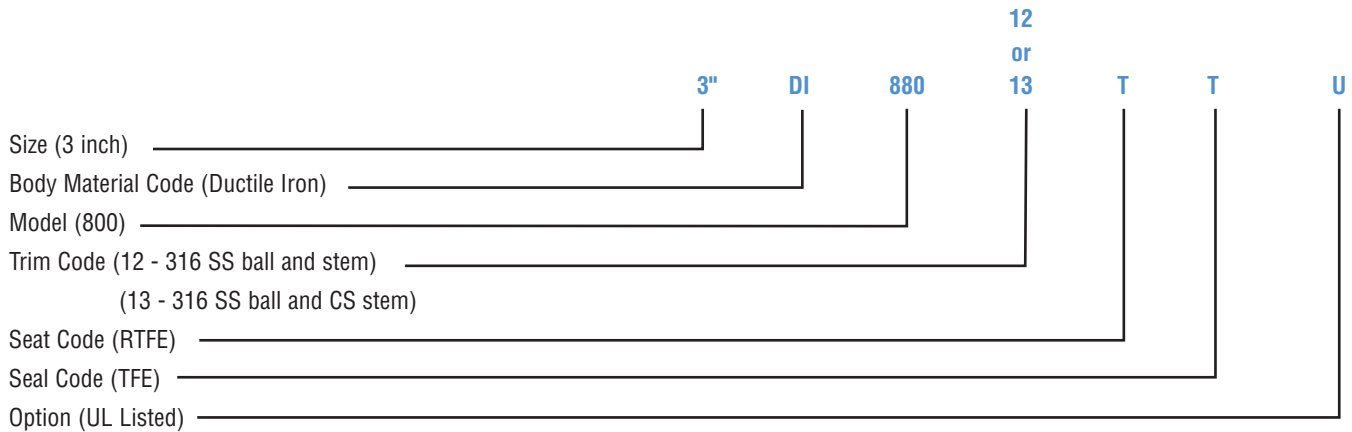
Ball Valves shall be 3" size, NPT threaded end, radially split bolted body, floating ball design, handle operated. Valves shall have solid metal balls; formed hollow balls are not acceptable. Seats and seals shall be TFE. A multiple stem seal arrangement shall be provided, and shall be adjustable to compensate for wear. Stem shall be of a blowout proof design.

Body shall be Grade 60-40-18 pressure vessel quality cast ductile iron to ASTM A385. Trim (ball and stem) shall be Type 316 stainless steel.

Valves shall be capable of operating at pressures up to 500 psig, and at temperatures to 400°F. Seats shall provide bubble-tight shutoff over the operating range of the valve.

When specified, valves shall be listed by Underwriters' Laboratories for Category YSDT (L.P. Gas shutoff) and/or Category YFBX (Flammable Liquid Shutoff) services.

Valves shall be Model DI-B800, as manufactured by Flowserve Corporation.



Worcester® is a registered trademark of Worcester Controls. • Worcester Controls® is a registered trademark of Flowserve Corporation. • Flowserve® is a registered trademark of Flowserve Corporation. Fire-Gard® is a registered trademark of M&FC Holding Company, Inc. • MARPAC® is a registered trademark of M&C Holding Company, Inc. • Polyfill® is a registered trademark of Worcester Controls.

Flowserve Corporation has established industry leadership in the design and manufacture of its products. When properly selected, this Flowserve product is designed to perform its intended function safely during its useful life. However, the purchaser or user of Flowserve products should be aware that Flowserve products might be used in numerous applications under a wide variety of industrial service conditions. Although Flowserve can (and often does) provide general guidelines, it cannot provide specific data and warnings for all possible applications. The purchaser/user must therefore assume the ultimate responsibility for the proper sizing and selection, installation, operation, and maintenance of Flowserve products. The purchaser/user should read and understand the Installation Operation Maintenance (IOM) instructions included with the product, and train its employees and contractors in the safe use of Flowserve products in connection with the specific application.

While the information and specifications contained in this literature are believed to be accurate, they are supplied for informative purposes only and should not be considered certified or as a guarantee of satisfactory results by reliance thereon. Nothing contained herein is to be construed as a warranty or guarantee, express or implied, regarding any matter with respect to this product. Because Flowserve is continually improving and upgrading its product design, the specifications, dimensions and information contained herein are subject to change without notice. Should any question arise concerning these provisions, the purchaser/user should contact Flowserve Corporation at any one of its worldwide operations or offices.

For more information about Flowserve Corporation, contact [www.flowserve.com](http://www.flowserve.com) or call USA 1 800 225 6989.

**FLOWSERVE CORPORATION**  
**FLOW CONTROL DIVISION**  
 1978 Foreman Drive  
 Cookeville, Tennessee 38501 USA  
 Phone: 931 432 4021  
 Facsimile: 931 432 5518