

# **SHARPE<sup>®</sup> VALVES**

---



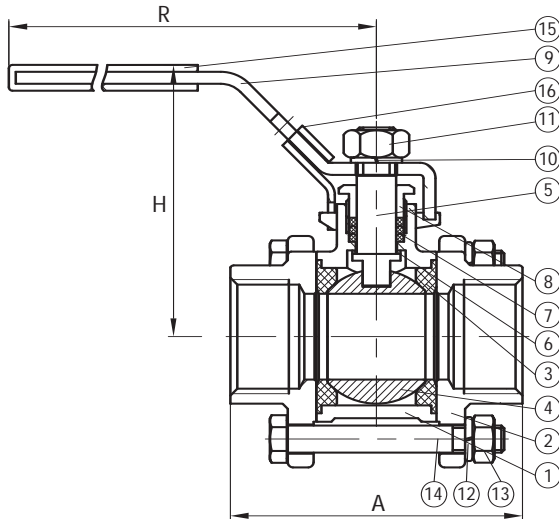
**SERIES 3903**  
**3 PIECE FULL PORT BALL VALVE**

# SERIES 3903

## VALVE PARTS AND IDENTIFICATION

CARBON STEEL THREADED ENDS 39034 TE  
 CARBON STEEL SOCKET WELD 39034 SW  
 STAINLESS STEEL THREADED ENDS 39036 TE  
 STAINLESS STEEL SOCKET WELD 39036 SW  
 BLOWOUT PROOF STEM  
 LOCKING DEVICE  
 1000 WOG RATING

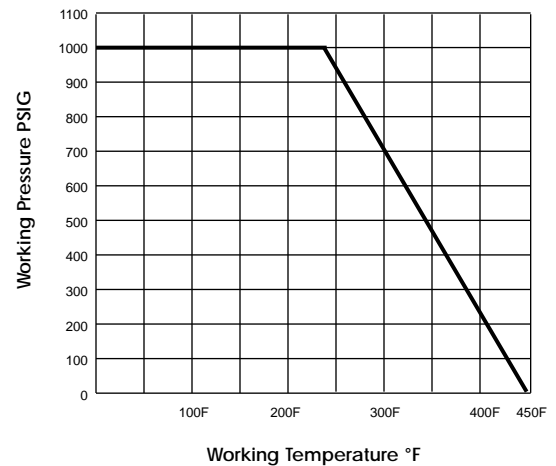
APPLICABLE STANDARDS	
SOCKET WELD & THREADED ENDS	ASME B16.11
HYDROSTATIC SHELL TEST	ASME B16.34
HYDROSTATIC SEAT TEST	ASME B16.34



SIZE	A	H	R	CV	WEIGHT LBS.
1/4"	2.28	2.20	3.98	20	0.81
3/8"	2.28	2.20	3.98	25	0.75
1/2"	2.48	2.54	4.84	28	1.10
3/4"	2.87	2.66	4.84	50	1.50
1"	3.35	3.11	5.98	70	2.11
1-1/4"	3.78	3.29	5.98	112	3.30
1-1/2"	4.49	3.62	7.17	170	4.85
2"	5.28	3.90	7.17	395	7.30
2-1/2"	7.09	5.35	9.68	835	15.90
3"	7.87	5.75	9.68	860	27.70
4"	8.98	6.67	9.68	1780	43.10

PART NO.	PART	QTY.	MATERIAL
1	Body	1	316 Stainless Steel ASTM-A351 CF8M Carbon Steel ASTM-A216 WCB
2	Body Ends	2	316 Stainless Steel ASTM-A351 CF8M Carbon Steel ASTM-A216 WCB
3	Seat & Seals	2	RTFE 15% Glass Reinforced
4	Ball	1	316 Stainless Steel
5	Stem	1	316 Stainless Steel
6	Thrust Washer	1	PTFE
7	Stem Packing	3	PTFE
8	Gland	1	304 Stainless Steel
9	Handle	1	304 Stainless Steel
10	Handle Washer	1	304 Stainless Steel
11	Handle Nut	1	304 Stainless Steel
12	Bolt Washer	4/6	304 Stainless Steel
13	Body Nut	4/6	304 Stainless Steel
14	Body Bolt	4/6	304 Stainless Steel
15	Handle Sleeve	1	PVC
16	Locking Device	1	304 Stainless Steel

### PRESSURE TEMPERATURE RATINGS



# SHARPE® VALVES

A Division of Smith-Cooper International, LLC

Toll Free: 1-877-7SHARPE  
 (877) 774-2773

Fax: (708) 562-9250

Email: info@sharpevalves.com

www.sharpevalves.com

1260 Garnet Drive

Northlake, Illinois 60164 U.S.A.