

# TEXSTEAM D Series Plug Valves



TEXSTEAM™

## TEXSTEAM D SERIES PLUG VALVES DUCTILE IRON AND CARBON STEEL



### TEN GOOD REASONS TO USE THE TEXSTEAM D SERIES PLUG VALVE

If your oilfield has tough service conditions -  $H_2S$ ,  $CO_2$ , entrained sand, high flow conditions - you need the Texsteam D Series Plug Valve.

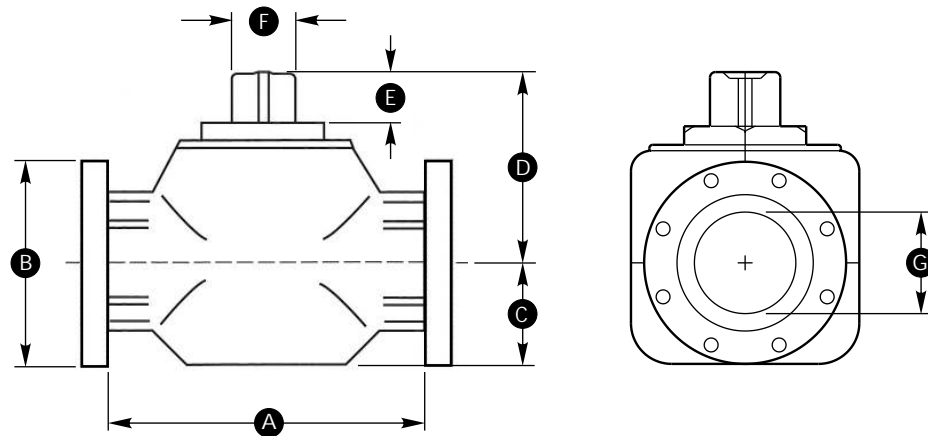
- D Series block valves are top entry, infield/inline repairable - saves you substantial repair time and money.
- Choice of molded PC Buna-N or FKM seats.
- Bubble tight shut-off - zero leakage.
- Soft, resilient DuraSeat™ won't pit or scratch like Teflon or Nylon.
- Meets NACE MR0175 (2002) standard. Built and tested to API 6D and ASME B16.34.
- Large, rugged stem with secure locking device to prevent tampering.
- Quarter turn with internal stops.
- Time-tested design has been working hard for years in oilfields worldwide.
- Every D Series block valve is backed by the respected Cameron name.

### THE SECRET'S IN THE SEATS

The secret to our TEXSTEAM D Series block valves is in the seats - soft, PC Buna-N\* injection molded seats that won't scratch or leak like Teflon or Nylon - even under tough service conditions.



## TEXSTEAM D SERIES PLUG VALVES DUCTILE IRON AND CARBON STEEL



## FLANGED END DIMENSIONS

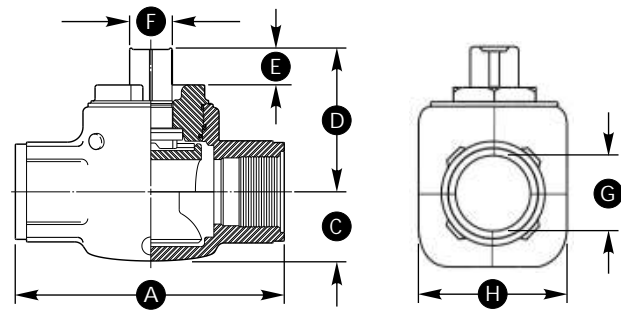
Valve Size (in.)	Model Number	ASME Class	Working Pressure	Port Opening	Dimension (inches)							Weight (lbs.)
					A	B	C	D	E	F	G	
1	6104	150	285 psi	Reduced	5 1/2	4 1/4	2 1/8	3 1/8	1	1 1/8	15/16	9.1
	6304	300	740 psi	Reduced	6 1/4	4 7/8	2 7/16	3 1/8	1	1 1/8	15/16	12.1
	6604	600	1480 psi	Reduced	8 1/2	4 7/8	2 7/16	3 1/8	1	1 1/8	15/16	12.7
	6904	900	2220 psi	Reduced	10	5 7/8	2 15/16	3 1/8	1	1 1/8	15/16	12.7
1 1/2	6104	150	285 psi	Reduced	6 1/2	5	2 1/2	4 1/8	1 3/8	1 5/16	1 5/8	22.5
2	6104	150	285 psi	Reduced	7	6	3	4 1/8	1 3/8	1 5/16	1 5/8	22.5
	6106	150	285 psi	Full	10 1/2	6	3	4 5/8	1	1 5/16	2 5/8	36.0
	6304	300	740 psi	Reduced	8 1/2	6 1/2	3 1/4	4 1/8	1 3/8	1 5/16	1 5/8	26.5
	6306	300	740 psi	Full	11 1/8	6 1/2	3 1/4	4 5/8	1	1 5/16	2 1/8	38.0
	6604	600	1480 psi	Reduced	11 1/2	6 1/2	3 1/4	4 1/8	1 3/8	1 5/16	1 5/8	39.0
	6606	600	1480 psi	Full	11 1/2	6 1/2	3 1/4	4 5/8	1	1 5/16	2 1/8	41.0
	6904	900	2220 psi	Reduced	14 1/2	8 1/2	4 1/4	4 7/16	1 15/16	1 5/16	1 1/2	39.0
6906	900	2220 psi	Full	15	8 1/2	4 1/4	4 5/8	1 15/16	1 5/16	2 1/8	41.0	
3	6104	150	285 psi	Reduced	8	7 1/2	3 3/4	4 9/16	1	1 5/16	2 1/8	41.0
	6106	150	285 psi	Full	13 1/2	7 1/2	3 3/4	6 7/16	1 3/4	2 3/16	3 1/8	70.0
	6304	300	740 psi	Reduced	11 1/8	8 1/4	4 1/8	4 9/16	1	1 5/16	2 1/8	45.0
	6306	300	740 psi	Full	15 1/4	8 1/4	4 1/8	6 7/16	1 3/4	2 3/16	3 1/8	84.0
	6604	600	1480 psi	Reduced	14	8 1/4	4 1/8	4 9/16	1	1 5/16	2 1/8	67.0
	6606	600	1480 psi	Full	17 1/2	8 1/4	4 1/8	6 7/16	1 3/4	2 3/16	3 1/8	124.0
	6904	900	2220 psi	Reduced	15	9 1/2	4 3/4	5 1/16	1 1/8	1 5/16	2 1/8	80.0
6906	900	2220 psi	Full	18 1/2	9 1/2	4 3/4	6 9/16	1 3/4	2 3/16	3 1/8	110.0	
4	6104	150	285 psi	Reduced	9	9	4 1/2	6 7/16	1 3/4	2 3/16	3 1/8	75.0
	6304	300	740 psi	Reduced	12	10	5	6 7/16	1 3/4	2 3/16	3 1/8	105.0
	6604	600	1480 psi	Reduced	17	10 3/4	5 3/8	6 7/16	1 3/4	2 3/16	3 1/8	131.0
	6904	900	2220 psi	Reduced	18	11 1/2	5 3/4	6 7/16	1 3/4	2 3/16	3 1/8	170.0

When ordering specify "RF" for Raised Face or "RJ" for Ring Joint Flange.

\*FKM optional.

Note: All flange valve lengths given are RF. Add 1/8 inch to length for RTJ Class 600 and 900.

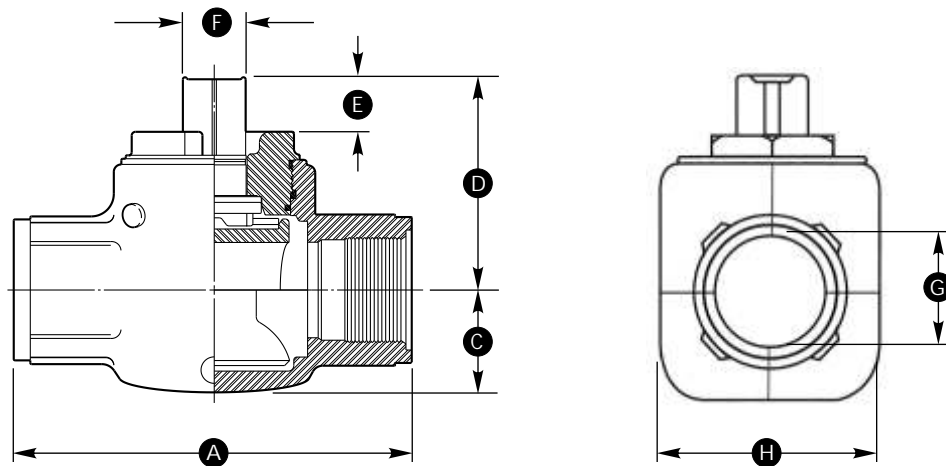
## TEXSTEAM D SERIES PLUG VALVES DUCTILE IRON AND CARBON STEEL



## SCREWED END DIMENSIONS (Ductile Iron)

Valve Size (in.)	Model Number	Working Pressure	Port Opening	Dimension (inches)							Weight (lbs.)
				A	H	C	D	E	F	G	
1	524	500	Reduced	5 1/4	2 3/8	1 9/32	3 1/2	1 1/8	1 1/8	7/8	5.5
	1024	1000	Reduced	5 1/4	2 3/8	1 9/32	3 1/2	1 1/8	1 1/8	7/8	5.5
	1524	1500	Reduced	5 1/4	2 3/8	1 9/32	3 1/2	1 1/8	1 1/8	7/8	5.5
	2024	2000	Reduced	5 1/4	2 3/8	1 9/32	3 1/2	1 1/8	1 1/8	7/8	5.5
	3024	3000	Reduced	5 1/4	2 3/8	1 9/32	-	1 1/8	1 1/8	7/8	5.5
2	524	500	Reduced	6 1/2	3 3/4	1 5/8	4 5/16	1 5/16	1 5/16	1 1/2	12.5
	526	500	Full	8 5/8	4 1/2	3 1/16	4 1/4	1 5/16	1 5/16	2 1/16	24
	1024	1000	Reduced	6 1/2	3 3/4	1 5/8	4 5/16	1 5/16	1 5/16	1 1/2	12.5
	1026	1000	Full	8 5/8	4 1/2	3 1/16	4 1/4	1 5/16	1 5/16	2 1/16	24
	1524	1500	Reduced	6 1/2	3 3/4	1 5/8	4 5/16	1 5/16	1 5/16	1 1/2	12.5
	1526	1500	Full	8 5/8	4 1/2	3 1/16	4 1/4	1 5/16	1 5/16	2 1/16	24
	2024	2000	Reduced	6 1/2	3 3/4	1 5/8	4 5/16	1 5/16	1 5/16	1 1/2	12.5
	2026	2000	Full	8 5/8	4 1/2	3 1/16	4 1/4	1 5/16	1 5/16	2 1/16	24
	2026 EUE	2000	Full	8 5/8	4 1/2	3 1/16	4 1/4	1 5/16	1 5/16	2 1/16	24
2 1/2	524	500	Reduced	8 3/4	4 5/8	2 1/4	4 21/32	1 5/16	1 5/16	2 1/16	20.2
	526	500	Full	10 3/4	6 1/4	3 1/4	6 9/16	1 3/4	2 3/16	3 1/16	59
	1024	1000	Reduced	8 3/4	4 5/8	2 1/4	4 21/32	1 5/16	1 5/16	2 1/16	20.2
	1026	1000	Full	10 3/4	6 3/8	3 1/4	6 9/16	1 3/4	2 3/16	3 1/16	59
	1026 EUE	1000	Full	10 3/4	6 3/8	3 1/4	6 9/16	1 3/4	2 3/16	3 1/16	59
	1524	1500	Reduced	8 3/4	4 5/8	2 1/4	4 21/32	1 5/16	1 5/16	2 1/16	20.2
	1526	1500	Full	10 3/4	6 3/8	3 1/4	6 9/16	1 3/4	2 3/16	3 1/16	59
	2024	2000	Reduced	8 3/4	4 5/8	2 1/4	4 21/32	1 5/16	1 5/16	2 1/16	20.2
	2026	2000	Full	10 3/4	6 3/8	3 1/4	6 9/16	1 3/4	2 3/16	3 1/16	59
3	524	500	Reduced	10	4 1/2	2 1/8	4 9/16	1 5/16	1 5/16	2 1/16	25
	526	500	Full	10 7/8	6 1/4	2 5/8	6 5/16	1 3/4	2 3/16	3 1/16	64
	1024	1000	Reduced	10	4 1/2	2 1/8	4 9/16	1 5/16	1 5/16	2 1/16	25
	1026	1000	Full	10 7/8	6 1/4	2 5/8	6 5/16	1 3/4	2 3/16	3 1/16	64
	1524	1500	Reduced	10	4 1/2	2 1/8	4 9/16	1 5/16	1 5/16	2 1/16	25
	1526	1500	Full	10 7/8	6 1/4	2 5/8	6 5/16	1 3/4	2 3/16	3 1/16	64
	2024	2000	Reduced	10	4 1/2	2 1/8	4 9/16	1 5/16	1 5/16	2 1/16	25
	2026	2000	Full	10 7/8	6 1/4	2 5/8	6 5/16	1 3/4	2 3/16	3 1/16	64
4	524	500	Reduced	12	6 5/8	3 3/8	6 9/16	1 3/4	2 3/16	3 1/16	69
	1024	1000	Reduced	12	6 5/8	3 3/8	6 9/16	1 3/4	2 3/16	3 1/16	69
	1524	1500	Reduced	12	6 5/8	3 3/8	6 9/16	1 3/4	2 3/16	3 1/16	69
	2024	2000	Reduced	12	6 5/8	3 3/8	6 9/16	1 3/4	2 3/16	3 1/16	69

## TEXSTEAM D SERIES PLUG VALVES DUCTILE IRON AND CARBON STEEL



## SCREWED END DIMENSIONS (Carbon Steel)

Valve Size (in.)	Model Number	Working Pressure	Port Opening	Dimension (inches)							Weight (lbs.)
				A	H	C	D	E	F	G	
1	204	285 psi	Reduced	5 1/8	2 3/8	1 3/8	3 1/8	1	1 1/8	15/16	5.5
	1004	1000 psi	Reduced	5 1/8	2 3/8	1 3/8	3 1/8	1	1 1/8	15/16	5.5
	1504	1500 psi	Reduced	5 1/8	2 3/8	1 3/8	3 1/8	1	1 1/8	15/16	5.5
	2004	2000 psi	Reduced	5 1/8	2 3/8	1 3/8	3 1/8	1	1 1/8	15/16	5.5
	3004*	3000 psi	Reduced	5 1/8	2 3/8	1 3/8	3 1/8	1	1 1/8	15/16	5.5
2	204	285 psi	Reduced	7 1/4	4 1/32	1 3/8	4 5/16	1 3/8	1 5/16	1 5/8	12.5
	206	285 psi	Full	8 5/8	4 1/2	2 3/16	4 5/8	1	1 5/16	2 1/8	24.0
	1004*	1000 psi	Reduced	7 1/4	4 1/32	1 7/8	4 5/16	1 3/8	1 5/16	1 5/8	12.5
	1006*	1000 psi	Full	8 5/8	4 1/2	2 3/16	4 5/8	1	1 5/16	2 1/8	24.0
	1504*	1500 psi	Reduced	7 1/4	4 1/32	1 7/8	4 5/16	1 3/8	1 5/16	1 5/8	12.5
	1506*	1500 psi	Full	8 5/8	4 1/2	2 3/16	4 5/8	1	1 5/16	2 1/8	24.0
	2004*	2000 psi	Reduced	7 1/4	4 1/32	1 7/8	4 5/16	1 3/8	1 5/16	1 5/8	12.5
	2006*	2000 psi	Full	8 5/8	4 1/2	2 3/16	4 5/8	1	1 5/16	2 1/8	24.0
2006 EUE	2000 psi	Full	8 5/8	4 1/2	2 3/16	4 5/8	1	1 5/16	2 1/8	24.0	
3	204	285 psi	Reduced	9 9/16	5	2 7/16	4 9/16	1	1 5/16	2 1/8	25.0
	206	285 psi	Full	10 7/8	6 3/4	3 1/4	6 7/16	1 3/4	2 3/16	3 1/8	64.0
	1004	1000 psi	Reduced	9 9/16	5	2 7/16	4 9/16	1	1 5/16	2 1/8	25.0
	1006*	1000 psi	Full	10 7/8	6 3/4	3 1/4	6 7/16	1 3/4	2 3/16	3 1/8	64.0
	1504*	1500 psi	Reduced	9 9/16	5	2 7/16	4 9/16	1	1 5/16	2 1/8	25.0
	1506*	1500 psi	Full	10 7/8	6 3/4	3 1/4	6 7/16	1 3/4	2 3/16	3 1/8	64.0
	2004*	2000 psi	Reduced	9 9/16	5	2 7/16	4 9/16	1	1 5/16	2 1/8	25.0
	2006*	2000 psi	Full	10 7/8	6 3/4	3 1/4	6 7/16	1 3/4	2 3/16	3 1/8	64.0
4	204	285 psi	Reduced	12 1/8	6 3/4	3 3/8	6 7/16	1 3/4	2 3/16	3 1/8	69.0
	1004*	1000 psi	Reduced	12 1/8	6 3/4	3 3/8	6 7/16	1 3/4	2 3/16	3 1/8	69.0
	1504*	1500 psi	Reduced	12 1/8	6 3/4	3 3/8	6 7/16	1 3/4	2 3/16	3 1/8	69.0
	2004*	2000 psi	Reduced	12 1/8	6 3/4	3 3/8	6 7/16	1 3/4	2 3/16	3 1/8	69.0

When ordering specify "SW" for Socket Weld or "BW" for Butt Weld. Specify pipe schedule for "BW" ends.



## TEXSTEAM D SERIES PLUG VALVES DUCTILE IRON AND CARBON STEEL

### MATERIALS LIST

Item	No. Required	Name of Part	Ductile Iron	Carbon Steel
1	1	Body	ASTM A395 Ductile Iron	ASTM A216 WCB
2	2	Seat	Epoxy/Nitrite (FKM Optional)	Epoxy/Nitrite (FKM Optional)
3	1	Plug	ASTM A395 Nickel Plated	ASTM A395 Nickel Plated
4	1	Stem Nut	ASTM A395 Ductile Iron	ASTM A216 WCB
5	1	Stem	ASTM A395 Ductile Iron	ASTM A395 Ductile Iron
6	1	Stem Bearing	TFE Filled Nylon	TFE Filled Nylon
7	1	O-Ring	70 Durometer PC Buna-N (FKM Optional)	70 Durometer PC Buna-N (FKM Optional)
8	1	O-Ring	70 Durometer PC Buna-N (FKM Optional)	70 Durometer PC Buna-N (FKM Optional)
9	1	O-Ring	70 Durometer PC Buna-N (FKM Optional)	70 Durometer PC Buna-N (FKM Optional)
10	1	Snap Ring	Carbon Steel	Carbon Steel
11	1	Locking Plate	Carbon Steel Cadmium Plated	Carbon Steel Cadmium Plated

### TORQUE (Foot Pounds)

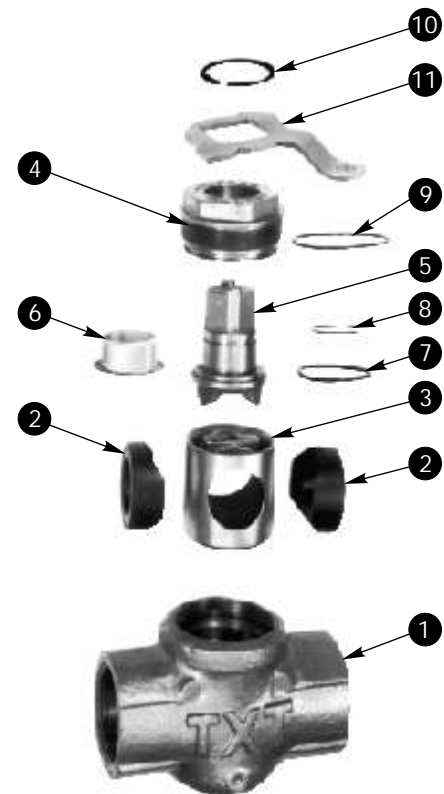
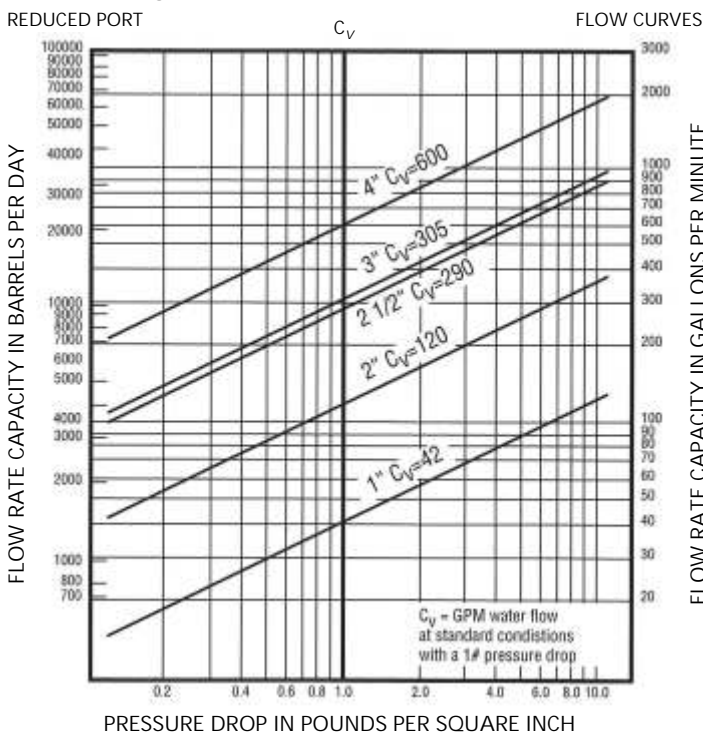
Pressure psi	inches							
	1 RP	2 RP	2 FP	2 1/2 RP	2 1/2 FP	3 RP	3 FP	4 RP
0	6	10	12	12	15	12	15	15
200	8	15	27	27	34	27	34	34
500	13	25	36	36	48	36	48	48
1000	18	31	48	48	60	48	60	60
1500	20	37	60	60	90	60	90	90
2000	26	42	65	65	105	65	105	105
2500	28	-	-	-	-	-	-	-
3000	34	-	-	-	-	-	-	-

### Wrench Data

Valve Size (in.)	Part Number
1 RP	9D-GA1382
2 RP	9D-GB 0445
2 FP	9D-GB 0445
2 1/2 RP	9D-GB 0445
2 1/2 FP	9D-GB 0879
3 RP	9D-GB 0445
3 FP	9D-GB 0879
4 RP	9D-GB 0879

### C<sub>v</sub> FLOW CURVES FOR REDUCED PORT

Full Opening Valves Exceed Nominal Pipe size



## TEXSTEAM D SERIES PLUG VALVES DUCTILE IRON AND CARBON STEEL

### NO SPECIAL WRENCH REQUIRED

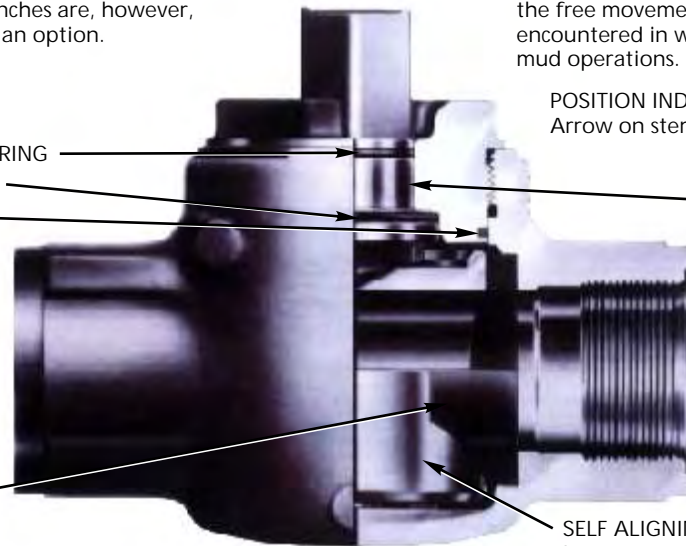
Square stem permits valve operation without the use of a special wrench. Wrenches are, however, available from TEXSTEAM as an option.

### PC BUNA-N O-RING SEALS

Viton available as an option.

DIRT EXCLUDER RING  
STEM PACKING  
NUT PACKING

MOLDED SEATS-  
RESILIENT SEALS  
Specially compounded  
glass filled epoxy  
composition with  
PC Buna-N (FKM optional).



INTERNAL STOPS  
Cast integral with body  
- cannot be misaligned

### AMPLE CLEARANCE

Prevents any solid buildup from interfering with the free movement of the plug as it is often encountered in water, cementing and drilling mud operations.

### POSITION INDICATOR

Arrow on stem indicates position of plug port.

STEM BEARING  
Teflon bearing insures  
continuing low torque  
operation.

### BI-DIRECTIONAL FLOW



Valve seats on downstream  
seat in either direction.

### SELF ALIGNING PLUG

Internally balanced and separated from the stem, the plug is in complete alignment at all times and is free to align itself to the downstream seat face in the closed positions. It is self compensating for normal wear. All plugs are electroless nickel-plated for corrosion and wear resistance. 316 SS plug and stem are available as an option.

HIGH STRENGTH RESISTANCE • HIGH WEAR RESISTANCE  
• HIGH IMPACT RESISTANCE • CORROSION RESISTANCE  
• BUBBLE TIGHT SEALING

The TEXSTEAM molded seat is excellent for salt water service. Seat has integral molded and bonded in one place, seal rings - front and back. Buna-N insures a positive seal even over sand and rust particles.

### NON-LUBRICATED

TEXSTEAM "D" Series valves are designed to meet the demand for plug valves that do not require the use of any lubricant for operation or sealing. Maintenance costs are reduced to an absolute minimum without sacrificing bubble-tight sealing.

### COMPACT DESIGN

Elimination of the lubrication system permits a much lighter, more compact valve - easier to handle. No need to make your installation fit the valve to provide access for lubricating. No special wrench required to operate TEXSTEAM valves and quarter-turn operation assures quick, positive control.

### ROUND PORTS

Round ports (reduced or full-opening) reduce fluid turbulence and pressure drops. Free floating seats and plugs align easily when subjected to server weather conditions, vibrations or pipe misalignment.

### THE IN-LINE-REPAIRS

The design of TEXSTEAM "D" Series valves allows both seats and plugs to be removed without removing the valve body from the line. Should replacement parts be required, repair kits are available for quick, economical in-the-line repairs.

### DURABILITY

All parts are wear, shock and corrosion-resistant. The floating plug is self-compensating for normal wear and electroless nickel-plated for corrosion and wear resistance.

### WIDE TEMPERATURE RANGE

TEXSTEAM "D" Series valves are recommended for -40°F to 200°F with PC Buna-N trim and for -20°F to 400°F with FKM trim.

### TYPICAL APPLICATIONS

- Tank Batteries
- Christmas Tree Service
- Gas Systems
- Salt Water Injection & Pressure Maintenance
- Vacuum Applications
- Pneumatic or Electric Actuation
- Wet CO<sub>2</sub> and Water Flood
- Compressor installations
- Handling Drilling Fluids
- Compressed Air-Gas
- Metering Stations
- Complex or inaccessible Manifolds
- Loading Racks
- Underground Gas Storage Systems
- LPG Service

### DUCTILE/CARBON STEEL

#### CARBON STEEL

Sizes: 1 in. through 4 in.  
Butt Weld, Socket Weld &  
Unionend: 500-3000 psi Wog  
Flanged: 150, 300, 600 &  
900 ASA (RF or RTJ)

#### DUCTILE IRON SPECIFICATIONS

ASTM A395  
60,000 Tensile (Min.)  
40,000 Yield (Min.)  
18% Elongation in 2 in. (Min.)

#### CARBON STEEL SPECIFICATIONS

ASTM A216 WCC  
70,000 Tensile (Min.)

#### NACE TRIM STANDARD

#### DUCTILE IRON

Sizes: 1 in. through 4 in.  
Working Pressure:  
500-3000 psi Wog  
Connections: Screwed

#### CHEMICAL REQUIREMENTS

Carbon 3.00% Min. P.08 Max.  
Silicon 2.50% Max. NI 0-1-0  
Phosphorus 0.08% Max.

Please contact Cameron, Valves & Measurement for current Terms and Conditions and Trademark information.

**VALVES & MEASUREMENT**

3250 Briarpark Drive, Suite 300  
Houston, Texas 77042  
USA Toll Free 800 323 9160

For the most current contact and location information go to: [www.c-a-m.com](http://www.c-a-m.com)