

TITAN

SIMPLEX BASKET STRAINER • THREADED ENDS

Class 125/150/300 lb • Cast Iron, Carbon & Stainless



FULL BOLTED COVER

Models:

BS 25-CI (Cast Iron 125 lb)
(Quick-open cover is standard)

BS 35-CS (Carbon Steel - 150/300 lb)
(Bolted cover is standard)

BS 35-SS (Stainless Steel - 150/300 lb)
(Bolted cover is standard)

WORKING PRESSURES & TEMPERATURE - NON-SHOCK

ANSI Class 125/150/300 lb	BS 25-CI ⁽¹⁾ 125 lb	BS 35-CS ⁽²⁾ 300 lb	BS 35-SS ⁽²⁾ 300 lb
WOG (Water, Oil, Gas)	200 PSI @ 100 °F	720 PSI @ 100 °F	720 PSI @ 100 °F
Saturated Steam	Not Recommended	300 PSI @ 420 °F	300 PSI @ 420 °F
MAX Liquid	Not Recommended	400 PSI @ 800 °F	350 PSI @ 1000 °F

- Knob type cover not recommended for steam or high temperature.
- Pressure/Temperature rating is lower for CS/SS units with optional quick-open cover.

Features:

- QUICK-OPEN, KNOB TYPE AND FULL ANSI RATED BOLTED COVER AVAILABLE
- SIZE RANGES FOR 3/8" THROUGH 3"
- LARGE STRAINING CAPACITY, MINIMUM 6 - 1 RATIO
- O-RING COVER AND BASKET SEALS
- BOTTOM DRAIN/BLOW-OFF CONNECTION
WITH PLUG FURNISHED STANDARD
- EPOXY PAINTED BODY - STANDARD FOR
BOTH CAST IRON AND CARBON STEEL
- PLUGGED SAFETY VENT IN COVER
- RECESS GASKET CONTAINMENT
- USED IN PIPELINES WHERE DEBRIS
LOADING IS HIGH AND THE COLLECTION
OF SOLIDS IS REQUIRED



QUICK OPEN COVER

*Ideal Design for Applications Where Easy Maintenance
and Large Capacity are Required*

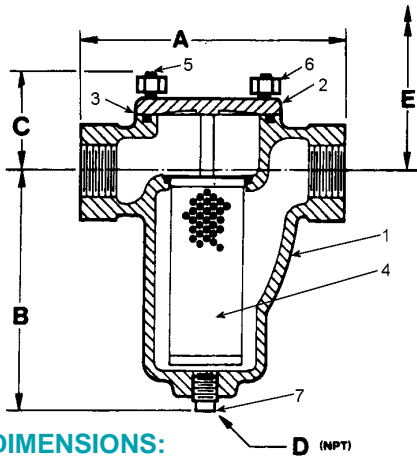


TITAN FLOW CONTROL
LUMBERTON, NC USA

SIMPLEX BASKET STRAINER • THREADED ENDS

- BS 25-CI (125 LB - CAST IRON)
- BS 35-CS (150/300 LB - CARBON STEEL)
- BS 35-SS (150/300 LB - STAINLESS STEEL)

ANSI Class 125/150/300



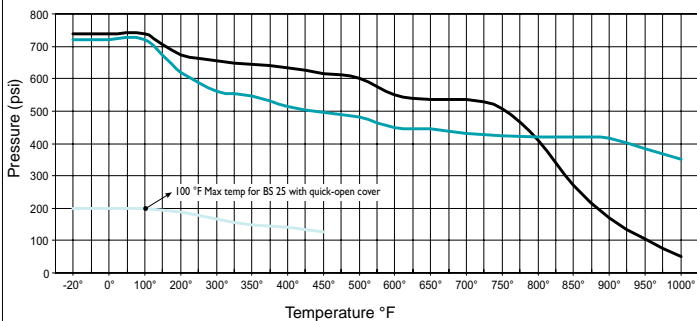
BILL OF MATERIALS				
No.	PART	BS 25-CI	BS 35-SS	BS 35-CS
1	BODY	ASTM-A126 Gr. B	CF8M-A351 T316 SS	WCB-A216
2	COVER	ASTM-A126 Gr. B	CF8M-A351 T316 SS	WCB-A216
3	O-RING/GASKET (1)	BUNA-N	RTFE (2)	RTFE (2)
4	BASKET (1)	TYPE 304 SS	TYPE 304 SS	TYPE 304 SS
5	STUDS	A193-B7	TYPE 316 SS	A193-B7
6	NUTS/KNOBS	A194-2H	TYPE 316 SS	A194-2H
7	DRAIN PLUG	STEEL	TYPE 316 SS	STEEL

1. Denotes recommended spare parts.
2. 150/300 class strainers use a reinforced Teflon gasket.

DIMENSIONS:

SIZE	in	3/8	1/2	3/4	1	1 1/4	1 1/2	2	2 1/2	3
	mm	10	15	20	25	32	40	50	65	80
A DIMENSION FACE TO FACE	in	4.562	4.562	4.562	5.312	6.312	6.312	8.25	9.625	11.25
	mm	116	116	116	135	161	161	210	245	286
B DIMENSION CTR. LINE TO BOTTOM	in	4.00	4.00	4.00	4.687	6.50	6.50	7.875	8.75	11.375
	mm	102	102	102	120	166	166	201	223	289
C DIMENSION CTR. LINE TO TOP	in	2.50	2.50	2.50	2.75	3.00	3.00	3.625	4.00	4.50
	mm	64	64	64	70	77	77	93	102	115
D DIMENSION NPT BLOW-OFF	in	.375	.375	.375	.375	.50	.50	.75	1.00	1.00
	mm	10	10	10	10	15	15	20	25	25
E DIMENSION SCREEN REMOVAL	in	4.812	4.812	4.8125	5.875	8.125	8.125	10.125	11.875	14.812
	mm	123	123	123	150	207	207	258	302	377
ASSEMBLED WEIGHT (CI)	lb	4.8	4.8	4.0	6.0	10.0	10.0	19.5	28.5	47.0
	kg	2.2	2.2	1.8	2.7	4.5	4.5	8.8	12.9	21.3
ASSEMBLED WEIGHT (CS/SS)	lb	6.0	6.0	6.0	8.0	14.0	14.0	26.0	34.0	56.0
	kg	2.7	2.7	2.7	3.6	6.3	6.3	11.8	15.4	25.4
Flow Coefficient	C _v	14	14	14	24	43	43	70	120	160

PRESSURE vs. TEMPERATURE: ANSI 125 CI & ANSI 300 CS/SS



- CS not recommended for prolonged use above 800 °F.
- SS not recommended for prolonged use above 1000 °F.

TESTING:

Strainers are individually, hydrostatically tested at 1.5 x the 100 °F rating, rounded off to the next higher 25 PSI measurement .

WORKING PRESSURES & TEMPERATURE - NON-SHOCK

ANSI 125/150/300 lb	BS 25-CI (1)	BS 35-CS	BS 35-SS
WOG (Water, Oil, Gas)	200 PSI @ 100 °F	720 PSI @ 100 °F	720 PSI @ 100 °F
Saturated Steam	Not Recommended	300 PSI @ 420 °F	300 PSI @ 420 °F
Max Liquid	Not Recommended	400 PSI @ 800 °F	350 PSI @ 1000 °F

1. Knob type cover not recommended for steam or high temperature.

STANDARD SCREEN SELECTIONS

Sizes	Water Service	Open Area	Steam	Open Area
3/8" ~ 2"	.062 (1/16)	37%	.033 (1/32)	28%
2 1/2" ~ 3"	.062 (1/16)	37%	.045 (3/64)	36%

A wide range of wire mesh and perforations are available.

APPLICABLE STANDARDS

Design	ANSI B16.4, B16.11
Shell Wall Thickness	ANSI B16.4, B16.11
Pressure vs. Temp. Rating	ANSI B16.4, B16.11

Ordering Code: _____ Size: _____

Customer/Project: _____

Inq./P.O. No.: _____

Titan Order No.: _____

Certified By: _____ Date: _____



TITAN FLOW CONTROL, INC.
Engineering Specification Submittal

SIMPLEX BASKET STRAINER • BS 25-CI, BS 35-CS, & BS 35-SS

Series	Size	Part No.	Material Trim Code	Drawing No.
				BS 25-CI, BS 35-CS, & BS 35-SS

TITAN

SIMPLEX BASKET STRAINER • FLANGED ENDS

Class 125 lb • Cast Iron

**BS 55-CI***(Shown with Clamped Cover)*

Clamped Cover Design:

- 2" ~ 4" designed with (1) Tee Bolt
- 6" designed with (2) Tee Bolts
- 8" ~ 12" designed with (4) Tee Bolts

Models:

BS 65-CI (Bolted Cover)

BS 55-CI (Clamped Cover)

Size Range: 2" thru 12"

WORKING PRESSURES & TEMPERATURE - NON-SHOCK

ANSI 125 lb Class	BS 65-CI	BS 55-CI
WOG (Water, Oil, Gas)	200 PSI @ 150 °F	200 PSI @ 100 °F
Saturated Steam	125 PSI @ 353 °F	Not Recommended
MAX Liquid	125 PSI @ 450 °F	Not Recommended

Features:

- TOP REMOVAL OF BASKET STRAINER SCREEN
- BOLTED (BS 65) OR QUICK CLAMP COVER (BS 55) AVAILABLE
- BOW-SHAPED BASKET HANDLE ASSURES TIGHT SEAL
- INLET AND OUTLET FLANGE BOSSES PROVIDED FOR GAUGE TAPS
- PLUGGED BOTTOM DRAIN/BLOW-OFF CONNECTION IS STANDARD ON BOTH MODELS
- OPTIONAL OPEN BOTTOM BASKET DESIGN ALLOWS FOR AUTOMATIC OR MANUAL BLOW-OFF VALVE INSTALLATION
- STRAIGHT THROUGH FLOW DESIGN RESULTS IN EXCEPTIONAL PRESSURE MAINTENANCE
- OPEN AREA IS MANY TIMES GREATER THAN CORRESPONDING PIPE SIZE ASSURES MINIMAL PRESSURE LOSS
- EPOXY PAINTING IS STANDARD
- USED FOR APPLICATIONS WHERE DEBRIS LOADING IS HIGH AND CONTINUOUS
- REMOVABLE LEG BRACKET SUPPORTS AVAILABLE ON LARGER SIZES

*Ideal Design for Applications Where Easy Maintenance
and Large Capacity are Required*

290 Corporate Drive
PO Box 7408
Lumberton, NC 28358

Titan Flow Control, Inc.
www.titanfci.com

Tel: 910-735-0000
Fax: 910-738-3848
titan@titanfci.com



TITAN FLOW CONTROL
LUMBERTON, NC USA

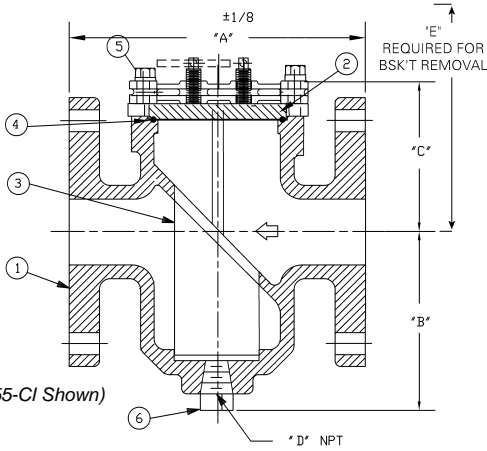
SIMPLEX BASKET STRAINER

BS 55-CI (CLAMPED COVER)

BS 65-CI (BOLTED COVER)

Flanged Ends • Flat Faced • Cast Iron

ANSI Class 125 lb



(4" BS 55-CI Shown)

BILL OF MATERIALS

No.	PART	BS 65-CI	BS 55-CI
1	BODY	CAST IRON ASTM A-126 Gr. B	
2	COVER	CAST IRON ASTM A-126 Gr. B	
3	BASKET*	304 STAINLESS STEEL	
4	GASKET*	NON-ASBESTOS	BUNA-N O-RING
5	CAP SCREWS	CARBON STEEL	
6	PLUGS BOSS/DRAIN	CAST IRON	

*Recommended spare parts

Notes:

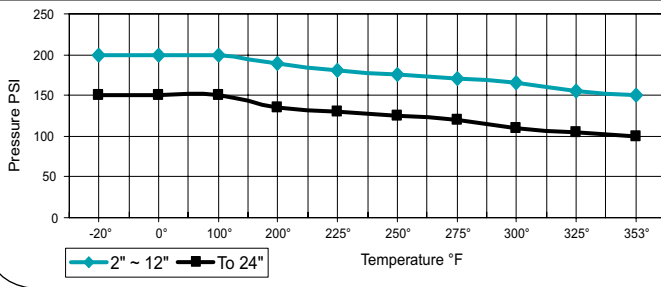
- 1/4" plugged NPT vent standard
- 1/4" plugged NPT gauge tap standard on 6" and larger

DIMENSIONS:

SIZE		2	2 1/2	3	4	5	6	8	10	12
		in	mm	in	mm	in	mm	in	mm	in
A DIMENSION FACE TO FACE	in	8.62	7.56	8.75	11.18	12.50	14.00	17.12	22.00	25.25
	mm	219	193	223	284	318	356	435	559	642
B DIMENSION CTR. LINE TO BOTTOM	in	5.87	5.43	5.25	7.87	8.75	10.37	15.12	16.00	23.75
	mm	150	138	134	200	223	264	385	407	604
C DIMENSION CTR. LINE TO TOP	in	4.37	3.75	5.12	5.37	5.00	5.62	7.00	9.25	11.62
	mm	111	96	131	137	127	143	178	235	296
D DIMENSION NPT BLOW-OFF	in	1/2	3/4	3/4	3/4	3/4	1 1/4	1 1/2	1 1/2	2
	mm	15	20	20	20	20	32	40	40	50
E DIMENSION SCREEN REMOVAL	in	10.87	10.87	11.25	15.50	15.50	18.25	23.37	29.00	37.50
	mm	277	277	286	394	394	464	594	737	953
ASSEMBLED WEIGHT	lb	27.0	30.0	40.0	76.0	93.0	154.0	244.0	416.0	752.0
	kg	12.2	13.6	40.0	76.0	93.0	154.0	244.0	416.0	752.0
Flow Coefficient	C _v	43	84	130	290	490	780	1600	3300	5100

*Dimensions (inches) are rounded down to two decimal places.

PRESSURE AND TEMPERATURE CHART BS 55/65-CI ANSI 125



- 353 °F max. temperature of saturated steam at 125 psig.

WORKING PRESSURES & TEMPERATURE - NON-SHOCK

ANSI 125 lb Class	BS 65-CI	BS 55-CI
WOG (Water, Oil, Gas)	200 PSI @ 150 °F	200 PSI @ 100 °F
Saturated Steam	125 PSI @ 353 °F	Not Recommended
Max Liquid	125 PSI @ 450 °F	Not Recommended

STANDARD SCREEN SELECTIONS

Sizes	Water Service	Open Area	Steam	Open Area
2" ~ 4"	.0625 (1/16)	37%	.045 (3/64)	36%
5" ~ 12"	.125 (1/8)	40%	.045 (3/64)*	36%

*For 10" and above, consult factory on screen selections for steam.

TESTING:

Strainers are individually, hydrostatically tested at 1.5 x the 100 °F rating, rounded off to the next higher 25 PSI measurement .

APPLICABLE STANDARDS

Design	ANSI B16.1
Shell Wall Thickness	ANSI B16.1
Pressure vs. Temp. Rating	ANSI B16.1

Ordering Code: _____ Size: _____
 Customer/Project: _____
 Inq./P.O. No.: _____
 Titan Order No.: _____
 Certified By: _____ Date: _____



TITAN FLOW CONTROL, INC.
Engineering Specification Submittal

SIMPLEX BASKET STRAINER • BS 55-CI & BS 65-CI

Series	Size	Part No.	Material Trim Code	Drawing No.

TITAN**SIMPLEX BASKET STRAINER • FLANGED ENDS****Class 150 • Carbon and Stainless Steel****6" BS 85-SS***(Support legs are standard on 6" units and above)***3" BS 85-CS****Models:****BS 85-CS** (*Carbon Steel*)**BS 85-SS** (*Stainless Steel*)**Size Range: 2" ~ 12"****WORKING PRESSURES & TEMPERATURE - NON-SHOCK**

ANSI 150 lb Class	BS 85-CS	BS 85-SS
WOG (Water, Oil, Gas)	285 PSI @ 100 °F	275 PSI @ 100 °F
Saturated Steam	150 PSI @ 366 °F	150 PSI @ 366 °F
MAX Liquid	80 PSI @ 800 °F	20 PSI @ 1000 °F

Features:

- BOLTED COVER DESIGN WITH PLUGGED (STANDARD) SAFETY VENT IN COVER
- OPTIONAL QUICK-OPENING COVERS ARE ALSO AVAILABLE
- BOW-SHAPED BASKET HANDLE ENSURES TIGHT SEAL
- INLET AND OUTLET FLANGE BOSSES PROVIDED FOR GAUGE TAPS
- PLUGGED BOTTOM DRAIN/BLOW-OFF CONNECTION IS STANDARD
- OPTIONAL OPEN BOTTOM BASKET DESIGN - ALLOWS FOR AUTOMATIC OR MANUAL BLOW-OFF VALVE INSTALLATION
- STRAIGHT THROUGH FLOW DESIGN WITH AN OPEN AREA THAT IS MANY TIMES GREATER THAN CORRESPONDING PIPE SIZE ENSURES MINIMAL PRESSURE LOSS
- CARBON STEEL UNITS ARE EPOXY PAINTED
- SIZES 6" AND ABOVE ARE PROVIDED WITH SUPPORT LEGS
- USED FOR APPLICATIONS WHERE DEBRIS LOADING IS HIGH AND THE COLLECTION OF SOLIDS IS REQUIRED

Ideal Design for Applications Where Easy Maintenance and Large Capacity are Required



TITAN FLOW CONTROL
LUMBERTON, NC USA

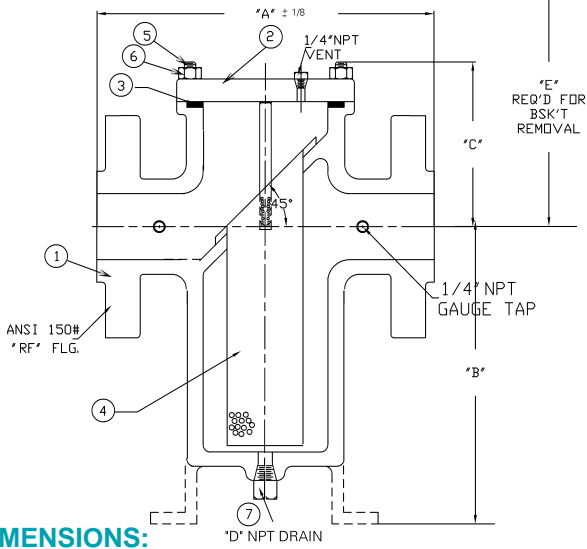
SIMPLEX BASKET STRAINER

BS 85-CS (Carbon Steel)

BS 85-SS (Stainless Steel)

Flanged Ends • Raised Face • Carbon & Stainless Steel

ANSI Class 150 lb



DIMENSIONS:

SIZE	in	2	2 1/2	3	4	5	6	8	10	12
	mm	50	65	80	100	125	150	200	250	300
A DIMENSION FACE TO FACE	in	8.50	8.00	8.75	11.125	13.125	13.875	17.375	22.00	26.00
	mm	216	204	223	283	334	353	442	559	661
B DIMENSION CTR. LINE TO BOTTOM	in	5.875	5.437	5.25	7.875	10.25	13.125	16.375	18.25	23.75
	mm	150	139	134	201	261	334	416	464	604
C DIMENSION CTR. LINE TO TOP	in	4.75	4.25	5.50	6.00	5.625	5.812	7.312	10.375	12.375
	mm	121	108	140	153	143	148	186	264	315
D DIMENSION NPT BLOW-OFF	in	.50	.75	.75	1.00	1.00	1.25	1.50	1.50	2.00
	mm	15	20	20	20	20	32	40	40	50
E DIMENSION SCREEN REMOVAL	in	9.00	10.00	10.00	15.00	15.00	16.00	19.00	19.00	28.00
	mm	229	254	254	381	381	407	483	483	712
ASSEMBLED WEIGHT	lb	28.0	30.0	38.0	64.0	108.0	128.0	268.0	352.0	446.0
	kg	12.7	13.6	17.2	29.0	48.9	58.0	121.4	159.5	202.1
Flow Coefficient	C _v	43	85	135	285	495	755	1600	3300	5300

BILL OF MATERIALS

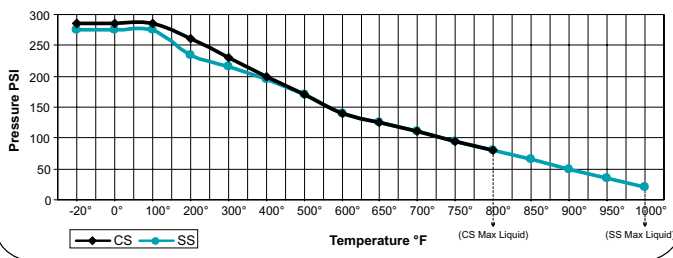
No.	PART	BS 85-SS	BS 85-CS
1	BODY	CF8M-A351	WCB-A216
2	COVER	CF8M-A351	WCB-A216
3	GASKET*	SPIRAL WOUND SS NON-ASBESTOS	
4	BASKET*	304 STAINLESS STEEL	
5	STUDS	T316-SS	A193-B7
6	NUTS	T316-SS	A194-2H
7	PLUG	T316-SS	STEEL

*Recommended spare parts

Notes:

- Steam jacketed design and special materials available - C/F
- Quick opening covers available - C/F
- Drain connection furnished with plug is standard
- Sizes 6" and above furnished with support legs
- 1/4" plugged NPT vent standard
- 1/4" plugged NPT gauge tap is optional

PRESSURE AND TEMPERATURE CHART YS 85-CS/SS ANSI 150



- CS not recommended for prolonged use above 800 °F
- SS not recommended for prolonged use above 1000 °F

TESTING:

Strainers are individually, hydrostatically tested at 1.5 x the 100 °F rating, rounded off to the next higher 25 PSI measurement .

WORKING PRESSURES & TEMPERATURE - NON-SHOCK

ANSI 150 lb Class	BS 85-CS	BS 85-SS
WOG (Water, Oil, Gas)	285 PSI @ 100 °F	275 PSI @ 100 °F
Saturated Steam	150 PSI @ 366 °F	150 PSI @ 366 °F
Max Liquid	80 PSI @ 800 °F	20 PSI @ 1000 °F

STANDARD SCREEN SELECTIONS

Sizes	Liquid	Open Area	Steam	Open Area
2" ~ 3"	1/16	37%	3/64	36%
4" ~ 12"	1/8	40%	30 mesh	41%

APPLICABLE STANDARDS

Design	ANSI B16.5
Shell Wall Thickness	ANSI B16.34
Pressure vs. Temp. Rating	ANSI B16.34

Ordering Code: _____ Size: _____
 Customer/Project: _____
 Inq./P.O. No.: _____
 Titan Order No.: _____
 Certified By: _____ Date: _____



TITAN FLOW CONTROL, INC.
Engineering Specification Submittal

SIMPLEX BASKET STRAINER • BS 85-CS & BS 85-SS

Series	Size	Part No.	Material Trim Code	Drawing No.
				BS 85-CS & BS 85-SS

TITAN

DUPLEX STRAINER • THREADED AND FLANGED

Class 125 lb • CAST IRON



3" DS 691-CI

Models: DS 591-CI
(Threaded - Cast Iron)

DS 691-CI
(Flanged - Cast Iron)

Size Range: 3/4" ~ 4"

WORKING PRESSURES & TEMPERATURE NON-SHOCK

ANSI 125 lb Class	DS 591/691-CI
WOG (Water, Oil, Gas)	200 PSI @ 150 °F
Saturated Steam	Not Recommended
MAX Liquid	200 PSI @ 150 °F

Features:

- HIGHLY DYNAMIC BALL SEALING SYSTEM (PATENT PENDING) ENSURES LONG SEAT LIFE AND POSITIVE SEALING.
- LOW TORQUE, EASY TO OPERATE HANDLE THAT DOES NOT REQUIRE A GEARBOX
- LOW MAINTENANCE SEAT AND STEM SEALS GUARD AGAINST POSSIBLE LEAKAGE WHILE PROVIDING IMPROVED SERVICE LIFE
- EQUIPPED WITH FOOT PADS TO ENSURE A SECURE, RELIABLE INSTALLATION
- DRAIN PLUGS ARE PROVIDED ON THE SIDE AND BOTTOM OF EACH BASKET CHAMBER
- VENT IS ALSO PROVIDED ON THE TOP OF THE STRAINER BODY
- NO-HASSLE STRAINER DESIGN ALLOWS BASKET CLEANING OPERATIONS TO BE PERFORMED QUICKLY AND EASILY - NO SPECIAL TOOLS ARE REQUIRED
- COMPACT, LOW PROFILE DESIGN CAPABLE OF BEING INSTALLED IN APPLICATIONS THAT HAVE LIMITED OR RESTRICTED SPACE - STILL UTILIZES FULL-SIZED STRAINER BASKETS
- ANSI 150 LB BRONZE, CARBON STEEL, AND STAINLESS STEEL UNITS ARE ALSO AVAILABLE

*Ideal Design for Industrial and Commercial Applications
with Non-Interruptible Flow Requirements*



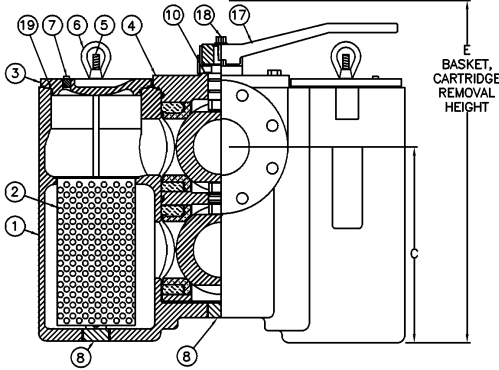
TITAN FLOW CONTROL
LUMBERTON, NC USA

DUPLEX STRAINER

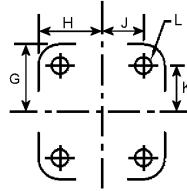
MODEL: DS 591-CI
CAST IRON
THREADED ENDS

MODEL: DS 691-CI
CAST IRON
FLANGED ENDS

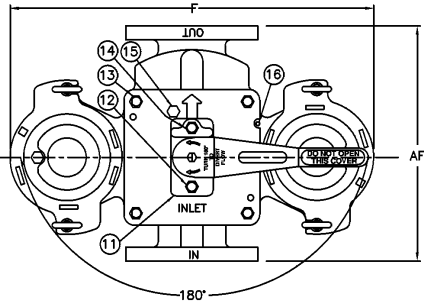
ANSI Class 125 lb



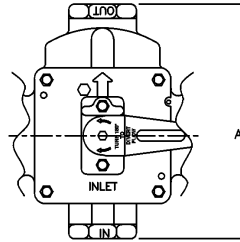
Front View (Flanged and Threaded)



Top View (Foot Pad)



Top View (Flanged)



Top View (Threaded)

DIMENSIONS: (2)

SIZE (3)	in	3/4 (4)	1	1 1/4 (4)	1 1/2	2	2 1/2	3 (5)	4 (5)
	mm	20	25	32	40	50	65	80	100
AF DIMENSION FLANGED FACE-TO-FACE	in	---	6.88	---	9.38	10.63	10.75	13.50	16.00
	mm	---	175	---	238	270	273	343	406
AT DIMENSION THREADED FACE-TO-FACE	in	5.50	5.50	7.50	7.50	10.00	10.00	---	---
	mm	140	140	190	190	254	254	---	---
C DIMENSION CTR. LINE TO BOTTOM	in	5.00	5.00	6.81	6.81	8.38	8.38	8.88	13.25
	mm	127	127	173	173	213	213	226	337
E DIMENSION SCREEN REMOVAL	in	13.38	13.38	17.00	17.00	21.75	21.75	26.50	33.00
	mm	340	340	432	432	552	552	673	838
F DIMENSION WIDTH	in	10.50	10.50	13.25	13.25	17.38	17.37	22.75	24.75
	mm	268	268	330	330	441	441	578	629
G DIMENSION FOOT PAD	in	3.25	3.25	3.25	3.25	4.69	4.69	4.69	5.19
	mm	83	83	83	83	119	119	119	132
H DIMENSION FOOT PAD	in	2.13	2.13	2.13	2.13	2.50	2.50	2.50	3.94
	mm	54	54	54	54	64	64	64	100
J DIMENSION FOOT PAD	in	1.63	1.63	1.63	1.63	1.81	1.81	1.81	3.25
	mm	41	41	41	41	46	46	46	83
K DIMENSION FOOT PAD	in	2.75	2.75	2.75	2.75	4.00	4.00	4.00	4.50
	mm	70	70	70	70	102	102	102	114
L DIMENSION FOOT PAD	in	.375	.375	.375	.375	.625	.625	.625	.625
	mm	10	10	10	10	16	16	16	16
WEIGHT FLANGED	lb	---	42	---	90	167	183	285	389
	kg	---	19	---	41	76	83	129	177
WEIGHT THREADED	lb	37	37	80	80	157	157	---	---
	kg	17	17	36	36	71	71	---	---
Flow Coefficient (7)	C _v	13	14	19	24	42	68	105	180

BILL OF MATERIALS			
No.	PART	MATERIAL (1)	QTY
1	Body	Cast Iron A126 CL. B	1
2	Basket	T-316 Stainless Steel	2
3	Cover	Ductile Iron A395	2
4	Cartridge	Ductile Iron A395	1
5	Stud	Carbon Steel	4
6	Eye nut	Carbon Steel	4
7,8,9	Pipe Plug	Cast Iron	2,3,2
10	Washer	Stainless Steel	1
11	Stem Retainer	Stainless Steel	1
12,13,14	Cap Screw	Carbon Steel	1,4,1
15	Vent Valve	Brass	1
16	Pin	Carbon Steel	1
17	Handle	D.I. / C.S.	1
18	Cap Screw	Carbon Steel	1
19,20,21	O-ring	Buna-N	2,4,2
22	Seal	Buna-N	4
23	Seat	Teflon	4
24	Ball	Stainless Steel	2
25,26	Stem	Stainless Steel	1,1

*Recommended spare parts

STANDARD SCREEN SELECTIONS

Sizes	Water Service	Open Area	Steam	Open Area
3/4" ~ 4"	1/16 (.0625)	37 %	Not Recommended	

A wide range of optional materials, wire mesh, perforated screens and magnetic assemblies are available.

WORKING PRESSURES & TEMPERATURE - NON-SHOCK

ANSI 125 lb Class	DS 591/691-CI
WOG (Water, Oil, Gas) (6)	200 PSI @ 150 °F

APPLICABLE STANDARDS

Cast Iron - Pipe Flanges	ASME/ANSI B16.1
Cast Iron - Threaded Fittings	ASME/ANSI B16.4

Design and Applications Notes:

- Bronze, Carbon, and Stainless Steel units are also available.
- Dimensions are for reference only. When required, request certified drawings.
- Larger sizes (5" ~ 8") are available. Please consult factory for pricing and delivery.
- Flanged units are not available in 3/4" or 1 1/4".
- Threaded units are not available in 3" or 4".
- Duplex Strainers are not recommended for steam service.
- Flow Coefficient shown is only for clean, perforated baskets.

Ordering Code: _____ Size: _____
 Customer/Project: _____
 Inq./P.O. No.: _____
 Titan Order No.: _____
 Certified By: _____ Date: _____



TITAN FLOW CONTROL, INC.
Engineering Specification Submittal

DUPLEX STRAINER • DS 591-CI & DS 691-CI

Size	Model Number	Description	Drawing No.
			DS 591/691-CI

TITAN

DUPLEX STRAINER • THREADED AND FLANGED

Class 150 lb • CARBON STEEL & STAINLESS STEEL



3" DS 692-CS

Size Range: 3/4" ~ 4"

Models: DS 592-CS (Carbon)
 DS 592-SS (Stainless)
 (Threaded Ends)

DS 692-CS (Carbon)
 DS 692-SS (Stainless)
 (Flanged Ends)

WORKING PRESSURES & TEMPERATURE NON-SHOCK

ANSI 150 lb Class	DS 592/692-CS/SS
WOG (Water, Oil, Gas)	200 PSI @ 150 °F
Saturated Steam	Not Recommended
MAX Liquid	200 PSI @ 150 °F

Features:

- HIGHLY DYNAMIC BALL SEALING SYSTEM (PATENT PENDING) ENSURES LONG SEAT LIFE AND POSITIVE SEALING.
- LOW TORQUE, EASY TO OPERATE HANDLE THAT DOES NOT REQUIRE A GEARBOX
- LOW MAINTENANCE SEAT AND STEM SEALS GUARD AGAINST POSSIBLE LEAKAGE WHILE PROVIDING IMPROVED SERVICE LIFE
- EQUIPPED WITH FOOT PADS TO ENSURE A SECURE, RELIABLE INSTALLATION
- DRAIN PLUGS ARE PROVIDED ON THE SIDE AND BOTTOM OF EACH BASKET CHAMBER
- VENT IS ALSO PROVIDED ON THE TOP OF THE STRAINER BODY
- NO-HASSLE STRAINER DESIGN ALLOWS BASKET CLEANING OPERATIONS TO BE PERFORMED QUICKLY AND EASILY - NO SPECIAL TOOLS ARE REQUIRED
- COMPACT, LOW PROFILE DESIGN CAPABLE OF BEING INSTALLED IN APPLICATIONS THAT HAVE LIMITED OR RESTRICTED SPACE - STILL UTILIZES FULL-SIZED STRAINER BASKETS
- ANSI 150 LB BRONZE AND ANSI 125 CAST IRON UNITS ARE ALSO AVAILABLE

*Ideal Design for Industrial and Commercial Applications
with Non-Interruptible Flow Requirements*

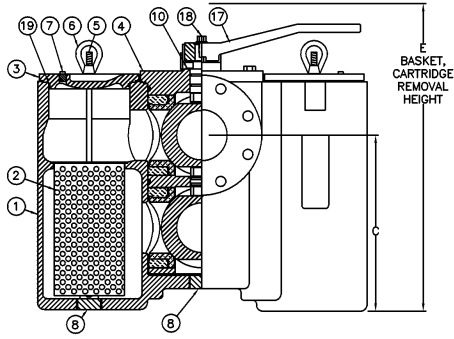


TITAN FLOW CONTROL
LUMBERTON, NC USA

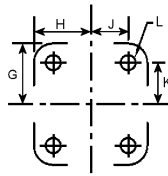
DUPLEX STRAINER

Threaded Ends		Flanged Ends	
DS 592-CS	DS 592-SS	DS 692-CS	DS 692-SS
Carbon	Stainless	Carbon	Stainless

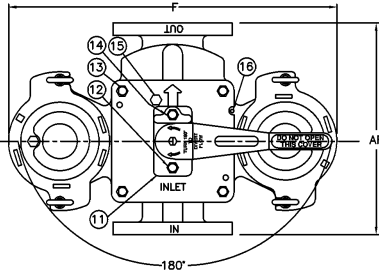
ANSI Class 150 lb



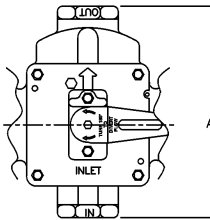
Front View (Flanged and Threaded)



Top View (Foot Pad)



Top View (Flanged)



Top View (Threaded)

BILL OF MATERIALS

No.	PART	DS 592/692-CS ⁽¹⁾	DS 592/692-SS ⁽¹⁾	QTY
1	Body	C.S. - A216 WCB	S.S. - A351 CF8M	1
2	Basket	T-316 Stainless Steel	T-316 Stainless Steel	2
3	Cover	C.S. - A216 WCB	S.S. - A351 CF8M	2
4	Cartridge	C.S. - A216 WCB	S.S. - A351 CF8M	1
5	Stud	Carbon Steel	Carbon Steel	4
6	Eye Nut	Carbon Steel	Carbon Steel	4
7,8,9	Pipe Plug	Carbon Steel	Stainless Steel	2,3,2
10	Washer	Stainless Steel	Stainless Steel	1
11	Stem Retainer	Stainless Steel	Stainless Steel	1
12,13,14	Cap Screw	Carbon Steel	Carbon Steel	1,4,1
15	Vent Valve	Brass	Stainless Steel	1
16	Pin	Carbon Steel	Carbon Steel	1
17	Handle	D.I. / C.S.	D.I. / C.S.	1
18	Cap Screw	Carbon Steel	Carbon Steel	1
19,20,21	O-ring	Buna-N	Viton	2,4,2
22	Seal	Buna-N	Viton	4
23	Seat	Teflon	Teflon	4
24	Ball	Stainless Steel	Stainless Steel	2
25,26	Stem	Stainless Steel	Stainless Steel	1,1

DIMENSIONS: (2)

SIZE ⁽³⁾	in	3/4 ⁽⁴⁾	1	1 1/4 ⁽⁴⁾	1 1/2	2	2 1/2 ⁽⁵⁾	3 ⁽⁶⁾	4 ⁽⁶⁾
AF DIMENSION FLANGED FACE-TO-FACE	in	---	6.88	---	9.38	10.63	---	13.50	16.00
	mm	---	175	---	238	270	---	343	406
AT DIMENSION THREADED FACE-TO-FACE	in	5.50	5.50	7.50	7.50	10.00	---	---	---
	mm	140	140	190	190	254	---	---	---
C DIMENSION CTR. LINE TO BOTTOM	in	5.00	5.00	6.81	6.81	8.38	---	8.88	13.25
	mm	127	127	173	173	213	---	226	337
E DIMENSION SCREEN REMOVAL	in	13.38	13.38	17.00	17.00	21.75	---	26.50	33.00
	mm	340	340	432	432	552	---	673	838
F DIMENSION WIDTH	in	10.50	10.50	13.25	13.25	17.38	---	22.75	24.75
	mm	268	268	330	330	441	---	578	629
G DIMENSION FOOT PAD	in	3.25	3.25	3.25	3.25	4.69	---	4.69	5.19
	mm	83	83	83	83	119	---	119	132
H DIMENSION FOOT PAD	in	2.13	2.13	2.13	2.13	2.50	---	2.50	3.94
	mm	54	54	54	54	64	---	64	100
J DIMENSION FOOT PAD	in	1.63	1.63	1.63	1.63	1.81	---	1.81	3.25
	mm	41	41	41	41	46	---	46	83
K DIMENSION FOOT PAD	in	2.75	2.75	2.75	2.75	4.00	---	4.00	4.50
	mm	70	70	70	70	102	---	102	114
L DIMENSION FOOT PAD	in	.375	.375	.375	.375	.625	---	.625	.625
	mm	10	10	10	10	16	---	16	16
WEIGHT FLANGED	lb	---	42	---	90	167	---	285	389
	kg	---	19	---	41	76	---	129	177
WEIGHT THREADED	lb	37	37	80	80	157	---	---	---
	kg	17	17	36	36	71	---	---	---
Flow Coefficient ⁽⁸⁾	C _v	13	14	19	24	42	---	105	180

**Recommended spare parts*

STANDARD SCREEN SELECTIONS

Sizes	Water Service	Open Area	Steam	Open Area
3/4" ~ 4"	1/16 (.0625)	37 %	Not Recommended	

A wide range of optional materials, wire mesh, perforated screens and magnetic assemblies are available.

WORKING PRESSURES & TEMPERATURE - NON-SHOCK

ANSI 150 lb Class	DS 592/692-CS/SS
WOG (Water, Oil, Gas) ⁽⁷⁾	200 PSI @ 150 °F

APPLICABLE STANDARDS

Steel - Pipe Flanges	ASME/ANSI B16.5
Steel - Threaded Fittings	ASME/ANSI B16.11

Design and Applications Notes:

- Bronze and cast iron units are also available.
- Dimensions are for reference only. When required, request certified drawings.
- Larger sizes are (5" ~ 8") are available. Please consult factory for pricing and delivery.
- Flanged units are not available in 3/4" or 1 1/4".
- Size 2 1/2" not available in carbon or stainless steel.
- Threaded units are not available in 3" or 4".
- Duplex Strainers are not recommended for steam service.
- Flow Coefficient shown is only for clean, perforated baskets.

Ordering Code: _____ Size: _____
 Customer/Project: _____
 Inq./P.O. No.: _____
 Titan Order No.: _____
 Certified By: _____ Date: _____



TITAN FLOW CONTROL, INC.
Engineering Specification Submittal

DUPLEX STRAINER • DS 592-CS/SS & DS 692-CS/SS

Size	Model Number	Description	Drawing No.
			DS 592/692-CS/SS