

TITAN

WYE STRAINER • FLANGED END, FLAT FACE CLASS 150 • ASTM B62 CAST BRONZE



2" YS 54-BZ

Model: YS 54-BZ

**Cast Bronze • ANSI Class 150
Size Range: 2" thru 12"**

WORKING PRESSURES & TEMPERATURE - NON-SHOCK

ANSI 300 lb Class	YS 54-BZ
WOG (Water, Oil, Gas)	225 PSI @ 150 °F
Saturated Steam	150 PSI @ 366 °F
MAX Liquid	135 PSI @ 450 °F

Features:

- SELF CLEANING TYPE
- BOLTED COVER FLANGE ALLOWS EASY REMOVAL OF SCREEN FOR CLEANING
ALSO HELPS TO ENSURE PROPER ALIGNMENT OF SCREEN DURING REASSEMBLY
- PRECISION MACHINED SEAT ENSURES PROPER SEATING OF SCREEN
- TAPPED NPT BLOW-OFF
- DRAIN CONNECTION FURNISHED WITH PLUG AS STANDARD
- STRAINER HAS LARGE OPEN AREA
MINIMUM 2.5 TIMES LARGER THAN CORRESPONDING PIPE SIZE
- BODY MEETS APPLICABLE ASTM STANDARDS
- HIGH TEMPERATURE COVER GASKETS ARE SET IN MACHINED COUNTER BORES
- ALL FLANGES FACED AND DRILLED IN ACCORDANCE WITH ANSI B16.24
- FLAT FACED WITH BOLT HOLES EITHER SPOT FACED OR BACK FACED
- SIZE RANGES FROM 2" THROUGH 12" - LARGER SIZES AVAILABLE - CONSULT FACTORY

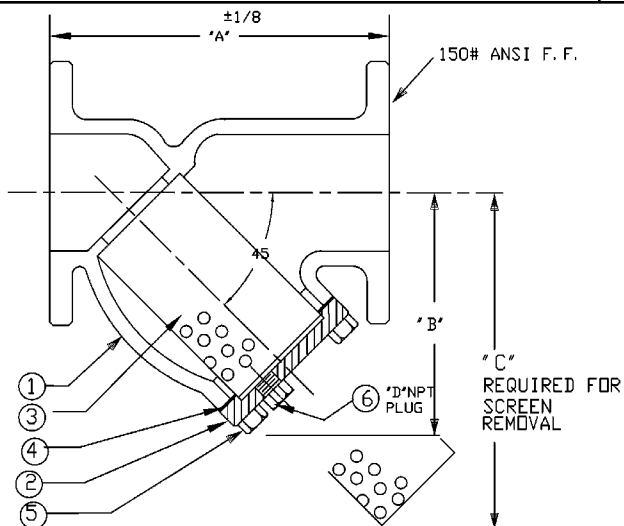
IDEAL DESIGN FOR MARINE AND COMMERCIAL APPLICATIONS



TITAN FLOW CONTROL
LUMBERTON, NC USA

WYE STRAINER
MODEL: YS 54-BZ
FLAT FACED - FLANGED ENDS
BRONZE ASTM B62

ANSI
Class
150 lb



BILL OF MATERIALS		
No.	PART	MATERIAL
1	Body	ASTM B62 Cast Bronze (85-5-5-5)
2	Cover	ASTM B62 Cast Bronze (85-5-5-5)
3	Screen*	Type 304 Stainless Steel
4	Gasket*	Type 304 Stainless Steel Spiral Wound Non-Asbestos
5	Cap Screw	Bronze - ASTM B62
6	Plug	Bronze - ASTM B62

*Recommended spare parts

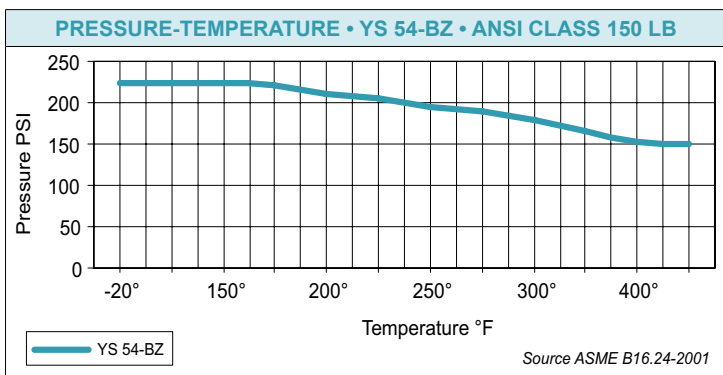
Notes:

- Bronze is manufactured from 85-5-5-5 Bronze ASTM - B62
- Flanges manufactured in accordance with ASME B16.24

DIMENSIONS:

SIZE	in	2	2 1/2	3	4	5	6	8	10	12
	mm	50	65	80	100	125	150	200	250	300
A DIMENSION FACE TO FACE	in	8.59	10.28	11.62	14.22	18.51	18.47	24.81	26.11	30.40
	mm	218	261	295	361	470	469	630	663	772
B DIMENSION CTR. LINE TO BOTTOM	in	5.75	7.09	7.88	9.45	11.82	13.39	18.12	19.49	22.64
	mm	146	180	200	240	300	340	460	495	575
C DIMENSION SCREEN REMOVAL	in	7.00	9.75	10.00	12.00	17.00	20.00	22.75	34.50	35.50
	mm	178	248	254	305	432	508	578	877	902
D DIMENSION NPT BLOW-OFF	in	1/2	3/4	1	1 1/2	2	2	2	2	2
	mm	15	20	25	40	50	50	50	50	50
ASSEMBLED WEIGHT	lb	22.0	40.0	46.0	74.0	84.0	156.0	268.0	C/F	C/F
	kg	10.0	18.1	20.8	33.5	38.1	70.7	121.4	C/F	C/F
Flow Coefficient	C _v	70	110	150	250	400	560	950	1600	2200

*Dimensions and weights are for reference only. When required, request certified drawings.



WORKING PRESSURES & TEMPERATURE - NON-SHOCK		
ANSI CLASS 150 lb YS 54-BZ	WOG (Water, Oil, Gas)	225 PSI @ 150 °F
	Saturated Steam	150 PSI @ 366 °F
	Max Liquid	135 PSI @ 450 °F

STANDARD SCREEN SELECTIONS				
Sizes	Water Service	Open Area	Steam	Open Area
2" - 4"	1/16 (.062)	37 %	1/32 (.033)	28 %
5" - 12"	1/8 (.125)	40 %	3/64 (.045)	36 %

A wide range of optional wire mesh and perforated screens are available.

REFERENCED STANDARDS	
Shell Wall Thickness	ANSI B16.24
Pressure vs. Temp. Rating	ANSI B16.24
End Flanges	ANSI B16.24

TESTING:

Strainers are individually, hydrostatically tested at 1.5 x the 100°F rating, rounded off to the next higher 25 PSI measurement .

Ordering Code: _____ Size: _____
 Customer/Project: _____
 Inq./P.O. No.: _____
 Titan Order No.: _____
 Certified By: _____ Date: _____



TITAN FLOW CONTROL, INC.
Engineering Specification Submittal

WYE STRAINER • FLAT FACED • FLANGED END • YS 54-BZ

Series	Size	Part No.	Material Trim Code	Drawing No.