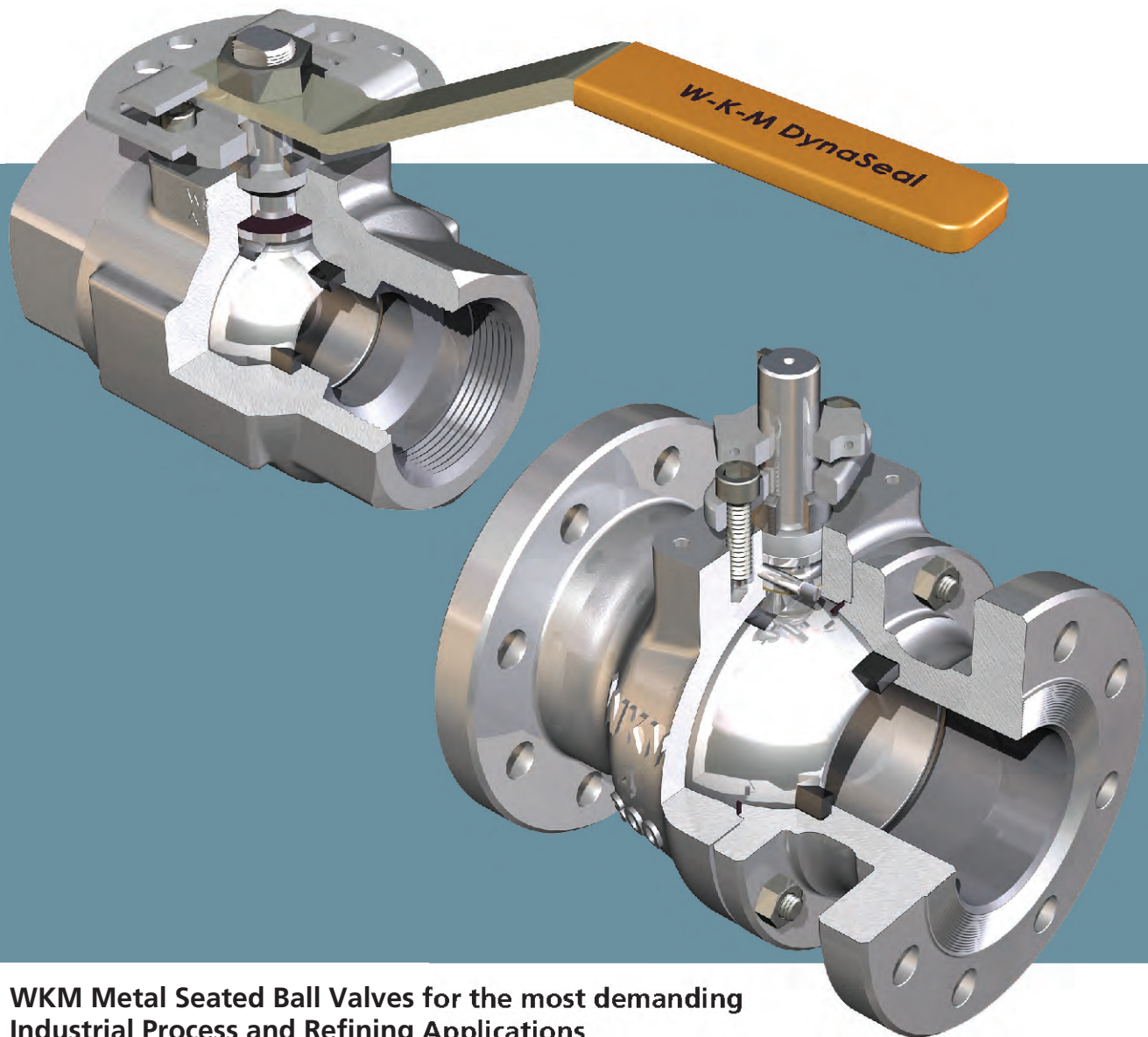


# DynaSeal 310 Metal Seated Ball Valves



## WKM Metal Seated Ball Valves for the most demanding Industrial Process and Refining Applications

### Compliance and Specifications

- ISO 9001-2000 Registered Quality System
- ASME B16.34, ASME B16.5
- API 607 4th Edition
- NACE MR0175 (2002)

### Sizes and Trims

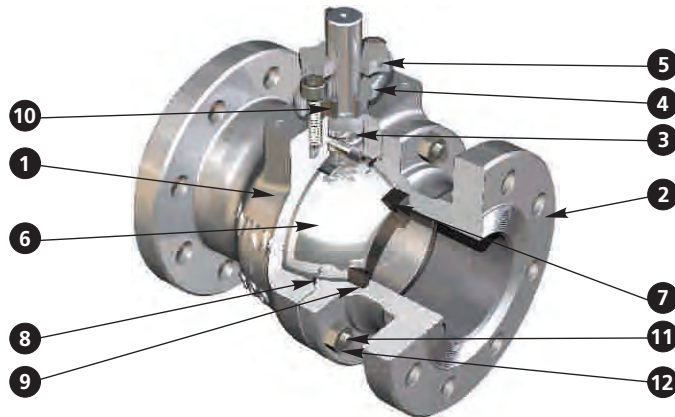
- 3/4 inch through 12 inch ASME Class 150/300/600
- Threaded and Socket Weld: 3/4 inch through 4 x 3 inch
- Trim 92H - Chrome Carbide Coatings over 316 SS Ball and Seats
- Trim 60 - Hard Chrome Plated 316 SS Ball. Solid Stellite Seat Rings

### Features

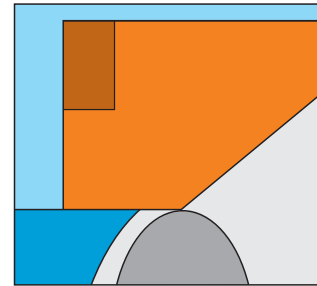
- Class V Bi-Directional Seat Sealing with class VI available upon request
- Graphite Seats
- Scraper Style Seats



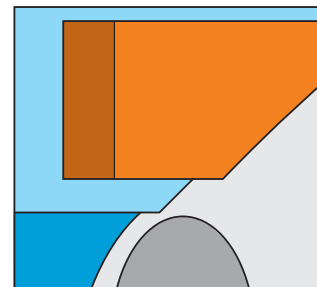
## DynaSeal 310 Metal Seated Ball Valves



Item	Part	92H Trim Material	60 Trim Material
1	Body	WCC/CF8M	WCC/CF8M
2	Tailpiece	WCC/CF8M	WCC/CF8M
3	Stem	CS ENP/316 SS/17-4	CS ENP/316 SS/17-4
4	Bonnet Cap	WCC/CF8M	WCC/CF8M
5	Stop Plate	Carbon Steel	Carbon Steel
6	Ball	316 SS w/Chrome Carbide	316 SS w/Hard Chrome
7	Seat	316 SS w/Chrome Carbide	Stellite
8	Body Seal	Teflon/Graphite	Teflon
9	Seat Seal	Teflon/Graphite	Graphite
10	Packing	Graphite	Graphite
11	Studs	A193 Gr. B7/B7M	A193 Gr. B7/B7M
12	Nuts	A194 Gr. 2H/2HM	A194 Gr. 2H/2HM



WKM Trim 60 incorporates a Hard Chrome Plated 316 SS ball and solid Stellite, hand lapped, seats for the ultimate in abrasion resistance.



WKM Trim 92H relies on an HVOF Chrome Carbide coated 316 SS ball and matching Chrome Carbide coated, machine lapped seats, for consistent isolation in the toughest of applications.

### SERIES 310 HOW TO ORDER

2	R	B	1	3	6	C	S	4	3	S	2	W	R
Size inches	Port Reduced Port = R Full Port = F		Valve Type			Body Tailpiece Code		Seal Code		Ball & Stem Code		Actuator Code	

Material	Codes
Carbon Steel	CS
Controlled hardness carbon steel for H <sub>2</sub> S service	CS2*
316 stainless steel for wetted parts	S1
316 stainless steel with stainless steel external trim. Good for -50°F (-46°C).	S8**

\* Meets NACE specification MR0175.

\*\* Meets NACE specification MR0175 in 3 inch bore size and smaller.

Materials	Code
316 Stainless Steel	S1
17-4 PH	S2*

\* NACE 4 inch RP and smaller.

17-4 PH Stem, 316 Stainless Steel Ball.

Seal Number	Seal Material	Tailpiece Gasket Material
60	Stellite	Filled PTFE
92H	316 SS with Chrome Carbide & Filled PTFE	Filled PTFE

Actuator Code	
Wrench*	WR
Oval Handwheel	OH
Worm Gear	WG
Bare Stem	BS
Less Gear	LG
Less Wrench	LW

Please contact Cameron, Valves & Measurement for current Terms and Conditions and Trademark information.

WKM®



3250 Briarpark Drive, Suite 300  
Houston, Texas 77042  
USA Toll Free 800 323 9160

For the most current contact and location information go to: [www.c-a-m.com](http://www.c-a-m.com)