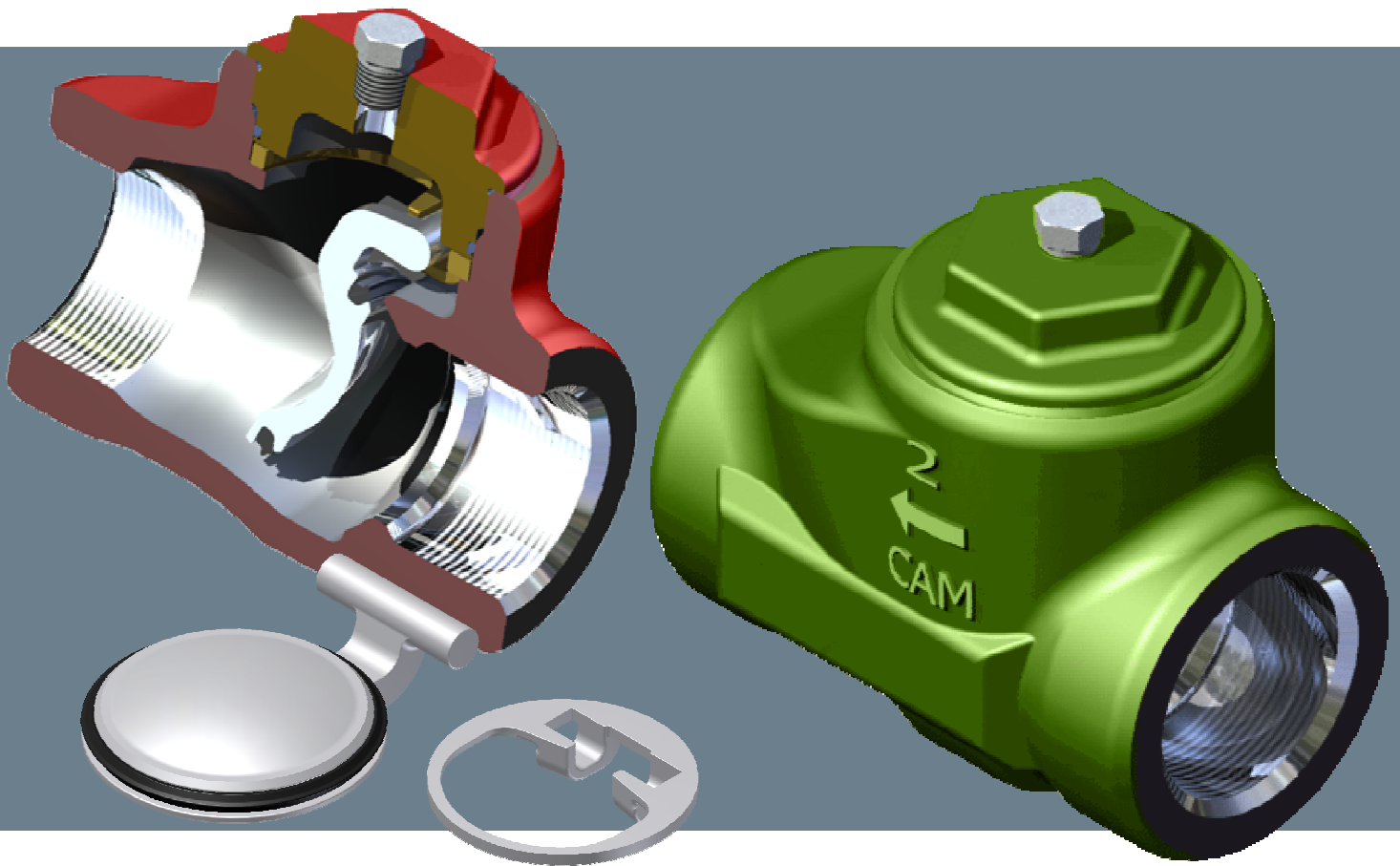


WHEATLEY® Series 822 Check Valves

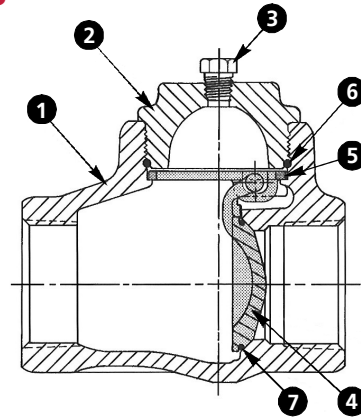


HERE'S WHAT YOU GET ... STANDARD

- Designed in Accordance with ASME B16.34 (WCC, LCC and CF8M only)
- Materials of construction conform to NACE MR0175 / ISO 15156
- Solid 316 stainless steel clapper and hanger which eliminates the need for separate pins, bushings and rollers
- Compact valve geometry minimizes weight and space
- Bevelled, self-aligning clapper and seat design incorporates a molded seal in the clapper for a bubble-tight primary and metal-to-metal secondary seal
- Peroxide-cured Buna-N (FKM & HNBR optional) seals
- Generous wrench area on body and hex-head threaded cover for easier installation and maintenance
- Full opening
- Suitable for horizontal or vertical flow up
- Below-the-threads cover seal isolates the cover threads from line media
- Metal Nameplate

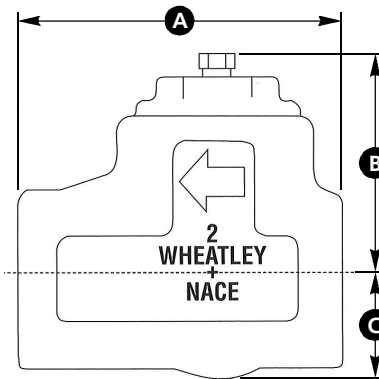
WHEATLEY® SERIES 822 CHECK VALVES BILL OF MATERIALS

Item Number	Name of Part	Material Series			
		Ductile Iron	Carbon Steel	Aluminum Bronze	Stainless Steel
1	Body	ASTM A395	ASTM A216 <small>Grade WCC or LCC</small>	ASTM B148 Alloy 955	ASTM A351 Grade CF8M
2	Cover	ASTM A216 <small>Grade WCC or LCC</small>	ASTM A216	ASTM B148 Alloy 955	ASTM A351 Grade CF8M
3	Plug	ASTM A105	ASTM A105 / A473 -316	ASTM A473 Type 316	ASTM A276 Type 304
4	Clapper/Arm/Pin	ASTM A351 GRADE CF8M			
5	Hanger	ASTM A351 GRADE CF8M			
6	Cover Seal	90 Durometer Peroxide Cured Buna-N (FKM, HNBR Optional)			
7	Clapper Seal	90 Durometer Peroxide Cured Buna-N (FKM, HNBR Optional)			



PRODUCT SPECIFICATIONS

Material Series	Valve Size (in.)	End Connection	Working Pressure	Weight (lbs.)	A (in.)	B (in.)	C (in.)
Ductile Iron	1	NPT	1000-2000	4	4 1/4	2 3/4	1 1/8
	2	Grooved	2500	9	7	4 1/4	1 13/16
	2	Grooved	2500	10	9	4 1/4	1 13/16
	2	NPT	300-2000	13	6	4 1/4	1 13/16
	2	NPT	300-2000	13	7 1/4	4 1/4	1 13/16
	3	Grooved	2500	22	10 3/4	5 3/4	2 1/2
	3	NPT	600-2000	23	8	5 3/4	2 1/2
	4	NPT	1000	35	10	6 5/8	3
Carbon Steel	1/2	NPT	275-3600	4	3 1/2	2 3/4	1 1/8
	3/4	NPT	275-3600	4	3 1/2	2 3/4	1 1/8
	1	NPT	275-3600	4	4 1/4	2 3/4	1 1/8
	1 1/2	NPT	275-3600	10	6	4 1/4	1 13/16
	2	NPT	275-3600	13	7 1/4	4 1/4	1 13/16
	2 1/2	Grooved	275-2160	11	9	4 1/4	1 13/16
	3	NPT	275-2160	28	8 3/4	5 3/4	2 1/2
Aluminum Bronze	1	NPT	2160-3600	4	4 1/4	2 3/4	1 1/8
	2	NPT	275-3600	13	7 1/4	4 1/4	1 13/16



Please contact Cameron's Valves & Measurement group for current Terms and Conditions and Trademark information.

ORDERING INFORMATION

9D-822	-	02	3	144	-	1	31
Model		Size	End Connection	Working Pressure		Body	Trim
820 - Aluminum Bronze							
822 - Integral Seat							
50	1/2 in. / 50 mm						
75	3/4 in. / 50 mm						
1	1 in. / 80 mm						
15	1 1/2 in. / 100 mm						
02	2 in. / 150 mm						
25	2 1/2 in. / 200 mm						
3	3 in. / 250 mm						
4	4 in. / 300 mm						
		0 - Socket Weld		027 - 275 WP		1 = Carbon Steel	
		1 - Grooved		030 - 300 WP		2 = Ductile Iron	
		3 - NPT Threaded		060 - 600 WP		3 = Stainless Steel	
				072 - 720 WP		6 = Aluminum Bronze	
				100 - 1000 WP			
				150 - 1500 WP			
				144 - 1440 WP			
				200 - 2000 WP			
				216 - 2160 WP			
				360 - 3600 WP			
						31 - CF8M SS Clapper/Arm & Hanger, PC Buna Seals	
						33 - CF8M SS Clapper/Arm & Hanger, FKM Seals	
						66 - CF8M SS Clapper/Arm & Hanger, HNBR Seals Sour Trim	
						67 - CF8M SS Clapper/Arm & Hanger, HNBR Seals, Sour Low Temp Trim	
						80 - CF8M SS Clapper/Arm & Hanger, PC Buna Seals, 7 1/4" Length 2": DI Only	

PARTS REPLACEMENT KITS

Material Series	Order Number	Valve Size
Ductile Iron	9D-820-01020*- DIK	1
	9D-820-02020*- DIK	2
	9D-820-03020*- DIK	2 1/2
	9D-820-03020*- DIK	3
	9D-820-04010*- DIK	4
Carbon Steel	9D-820-01036*- CSK	1/2, 3/4, 1
	9D-820-02021*- CSK	1 1/2
	9D-820-02021*- CSK	2
	9D-820-03021*- CSK	2 1/2
	9D-820-03021*- CSK	3
Aluminum Bronze	9D-820-04014*- CSK	4
	9D-820-01036*- ABK	1
	9D-820-02021*- ABK	2

Replace * with a "B" for Buna-N seals, or a "V" for FKM seals, or "H" for HNBR. Parts kit includes Item Numbers 4, 6 and 7.

Example:

9D-822-023144-131 = 2" NPT Threaded Swing Carbon Steel Check Valve with Stainless Trim and Peroxide cured Buna-N Seals

VALVES & MEASUREMENT

3250 Briarpark Drive, Suite 300
Houston, Texas 77042
USA Toll 800 323 9160

For the most current contact and location information go to: www.c-a-m.com