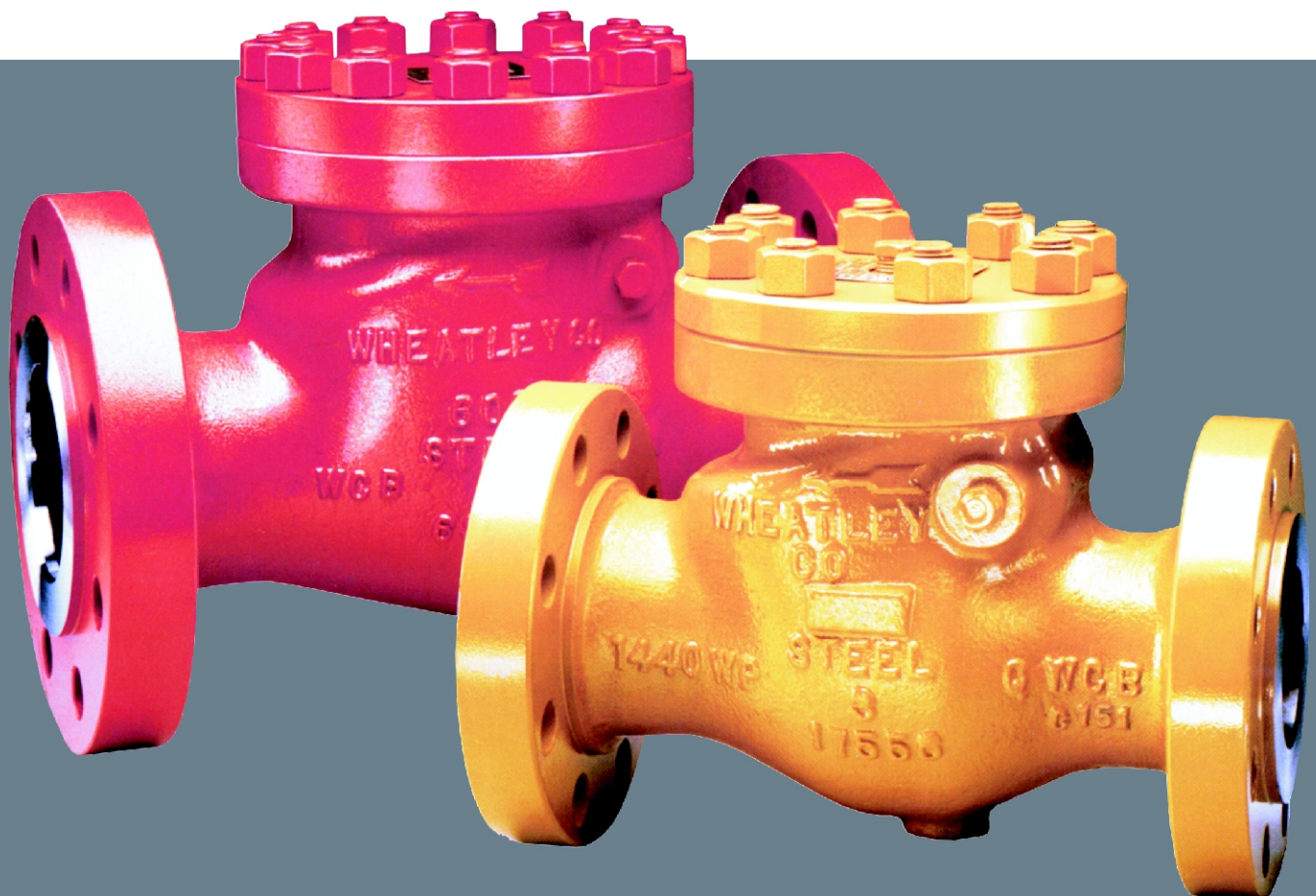


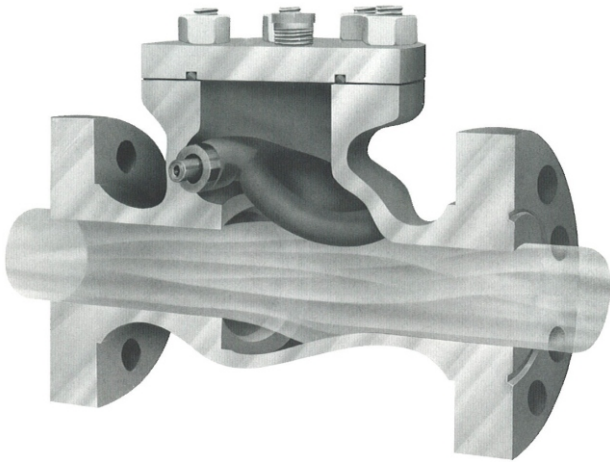
API 6D Carbon Steel Flanged End  
Check Valves 1 in. through 6 in.  
ASME/ANSI Classes 150 through 2500



**WHEATLEY®**

## API 6D CARBON STEEL FLANGED END CHECK VALVES WHEN YOU NEED A CHECK VALVE THAT HAS TO WORK

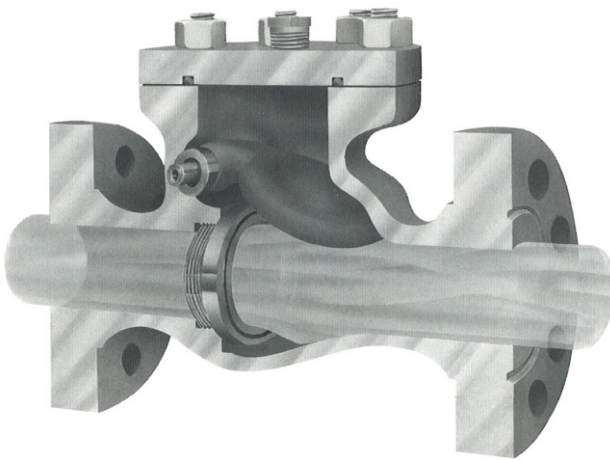
### Non-Removable (Integral) Seat



### Bill of Materials Non-Removable (Integral) Seat

Name of Part	Material
Body	Steel ASTM A216 Grade WCC
Clapper/Seat Seal	90 Durometer Peroxide Cured Buna-N or FKM
Cover	Steel ASTM A36/A516 Grade 70
Cover Seal	90 Durometer Peroxide Cured Buna-N or FKM
Cover Stud	Steel ASTM A193 Grade B7
Cover Nut	Steel ASTM A194 Grade 2H
Bleeder Plug	Steel
Clapper/Arm	316 Stainless Steel
Clapper Pin Shaft	316 Stainless Steel
Pin Plug	Steel
Name Plate	Stainless Steel

### Removable Seat



### Bill of Materials Removable Seat

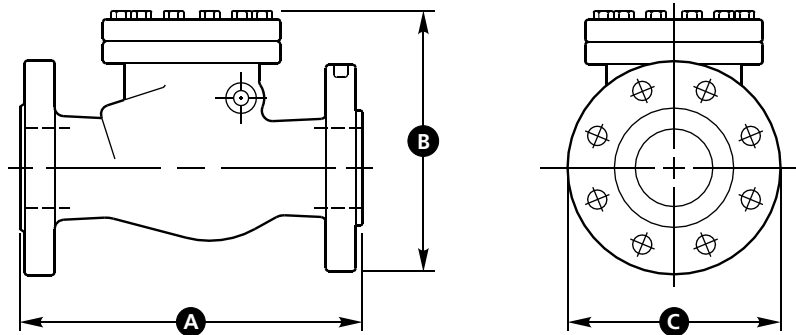
Name of Part	Material
Body	Steel ASTM A216 Grade WCC
Removable Seat	316 Stainless Steel
Body/Seat Ring Seal	90 Durometer Peroxide Cured Buna-N or FKM
Seat Ring/Clapper Seal	90 Durometer Peroxide Cured Buna-N or FKM
Cover	Steel ASTM A36/A516 Grade 70
Cover Seal	90 Durometer Peroxide Cured Buna-N or FKM
Cover Stud	Steel ASTM A193 Grade B7
Cover Nut	Steel ASTM A194 Grade 2H
Bleeder Plug	Steel
Clapper/Arm	316 Stainless Steel
Clapper Pin Shaft	316 Stainless Steel
Pin Plug	Steel
Name Plate	Stainless Steel

When you've been in business for 80 years you come to know a thing or two about what your customers are looking for. That's why we've built everything you need right into our off-the-shelf API 6D check valves. And, we've done it for price that's pretty close to what other manufacturers charge you for their "standard".

### Deluxe Features:

- 316 stainless steel trim is compatible with a broad range of media and operating conditions
- Full-open, through conduit design for low pressure drop and less turbulence. Valves easily pass pigs and spheres
- 90 durometer, peroxide-cured seals are compatible with a broad range of media and operating conditions. Seals provide a bubble-tight shut-off every time
- Suitable for vertical flow up or horizontal installation. Eliminates guesswork on your part
- All materials conform to NACE MR0175 (2002)
- Cast on flanges provide greater valve body integrity and fewer leak points
- API 6D monogram
- Flanges are back-faced - an extra manufacturing step which provides smoother bolting surfaces and even bolt loading
- Bolted top entry complete with 1/2 in. NPT cover tap for gauges and accessories (except 1 in. size)
- In-line repairable
- Thru-pin clapper shaft makes clapper removal easier and extends valve life by transferring wear and tear to an inexpensive replaceable part.

## API 6D CARBON STEEL FLANGED END CHECK VALVES RAISED FACE OR RING TYPE JOINT FLANGED BOLTED COVER



Valve Size in.	ASME Class	Working Pressure	A (in.)		B (in.)	C (in.)	Weight (lbs.)	Order Number Non-Removable Seat	Order Number Removable Seat
			RF	RTJ					
1	150	275	7 3/4	8 1/4	3 5/16	4 1/4	15	9D-910-01*027-121	9D-911-01*027-121
	300	720	8	8 1/2	3 5/16	4 7/8	15	9D-910-01*072-121	9D-911-01*072-121
	600	1440	8 1/2	8 1/2	3 5/16	4 7/8	17	9D-910-01*144-121	9D-911-01*144-121
	900	2160	10	10	3 13/16	5 7/8	17	9D-910-01*216-121	9D-911-01*216-121
	1500	3600	10	10	3 13/16	5 7/8	20	9D-910-01*360-121	9D-911-01*360-121
2	150	275	8	8 1/2	7 3/16	6	33	9D-910-02*027-121	9D-911-02*027-121
	300	720	10 1/2	11 1/8	7 7/16	6 1/2	26	9D-910-01*072-121	9D-911-02*072-121
	600	1440	11 1/2	11 5/8	9 1/4	6 1/2	44	9D-910-02*144-121	9D-911-02*144-121
	900	2160	14 1/2	14 5/8	10 1/2	8 1/2	70	9D-910-02*216-121	9D-911-02*216-121
	1500	3600	14 1/2	14 5/8	10 1/8	8 1/2	89	9D-910-02*360-121	9D-911-02*360-121
3	150	275	9 1/2	10	10 1/4	7 1/2	48	9D-910-03*027-121	9D-911-03*027-121
	300	720	12 1/2	13 1/8	10 15/16	8 1/4	72	9D-910-03*072-121	9D-911-03*072-121
	600	1440	14	14 1/8	11 3/8	8 1/4	76	9D-910-03*144-121	9D-911-03*144-121
	900	2160	15	15 1/8	11 3/4	9 1/2	105	9D-910-03*216-121	9D-911-03*216-121
	1500	3600	18 1/2	18 5/8	15 5/8	10 1/2	220	9D-910-03*360-121	9D-911-03*360-121
4	150	275	22 3/4	23	13 7/8	12	365	9D-700-03*600-121	9D-701-03*600-121
	150	275	11 1/2	12	11 15/16	9	75	9D-910-04*027-121	9D-911-04*027-121
	300	720	14	14 5/8	12 3/4	10	101	9D-910-04*072-121	9D-911-04*072-121
	600	1440	17	17 1/8	13 5/8	10 3/4	145	9D-910-04*144-121	9D-911-04*144-121
	900	2160	18	18 1/8	13 7/8	11 1/2	210	9D-910-04*216-121	9D-911-04*216-121
6	1500	3600	21 1/2	21 5/8	16 3/8	12 1/4	351	9D-910-04*360-121	9D-911-04*360-121
	2500	6000	26 1/2	26 7/8	19 5/8	14	583	9D-700-04*600-121	9D-701-04*600-121
	150	275	14	14 1/2	13 11/16	11	110	9D-910-06*027-121	9D-911-06*027-121
	300	720	17 1/2	18 1/8	15 1/4	12 1/2	185	9D-910-06*072-121	9D-911-06*072-121
	600	1440	22	22 1/8	17 1/4	14	300	9D-910-06*144-121	9D-911-06*144-121
6	900	2160	24	24 1/8	18 3/4	15	437	9D-910-06*216-121	9D-911-06*216-121
	1500	3600	27 3/4	28	20 5/8	15 1/2	766	9D-910-06*360-121	9D-911-06*360-121
2500	6000	36	36 1/2	25 1/4	19	1368	9D-910-06*600-121	9D-911-06*600-121	

\* For ring type joint (RTJ) flanges, use the number 4 as the third digit of the middle set of numbers.  
For raised face (RF) flanges, use the number 5 as the third digit of the middle set of numbers.  
For FKM seal change suffix to 122.

Note: Dimensions are for estimating purposes only. For critical applications, please contact factory for certified drawings.



If the NACE Plus™ is more than you need, consider the Wheatley Classic™.  
Instead of stainless steel, you get carbon steel. Just change the last digits of the order number to -101.

Please contact Cameron, Valves & Measurement for current Terms and Conditions and Trademark information.

**VALVES & MEASUREMENT**

3250 Briarpark Drive, Suite 300  
Houston, Texas 77042  
USA Toll Free 800 323 9160

For the most current contact and location information go to: [www.c-a-m.com](http://www.c-a-m.com)