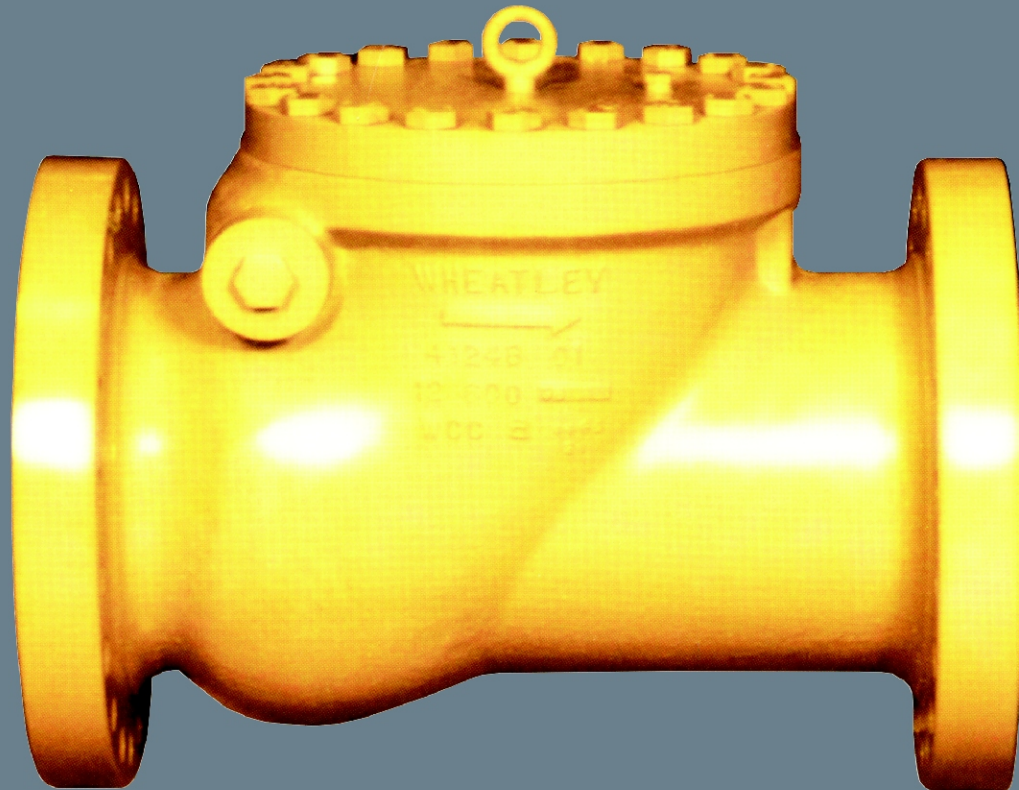


# API 6D Carbon Steel Flanged End Check Valves 8 in. through 12 in. ASME/ANSI Classes 150 through 900



- Full Opening Through Conduit
- 316 Stainless Steel Trim - Standard
- Stellite Trim Optional
- API 6D Monogram
- NACE MR0175 (2002)
- 90 Durometer Peroxide Cured Buna-N or FKM
- Bolted Top Entry 1/2 inch NPT Cover Tap
- Cast On Flanges Fully Machined

**WHEATLEY®**

## API 6D CARBON STEEL FLANGED END CHECK VALVES

### RAISED FACE OR RING TYPE JOINT FLANGE BOLTED COVER

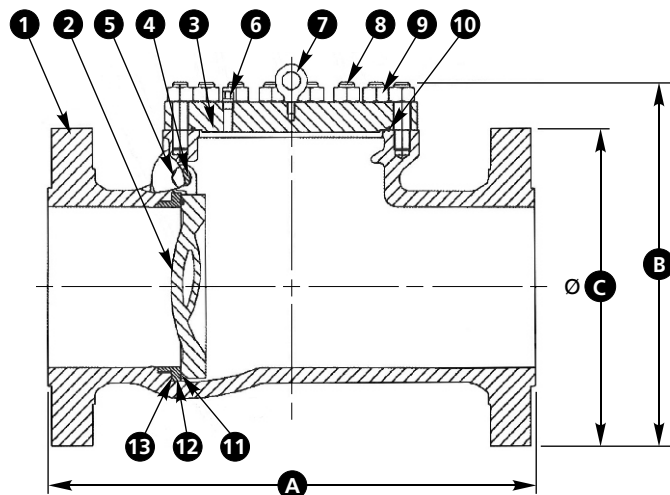
Valve Size	ASME Class	Working Pressure	A (in.)		B (in.)	C (in.)	Weight (lbs.)	Seal	Order Number	
			RF	RTJ					Integral Seat	Removable Seat
8 in.	150	285	19.50	20.00	16.40	13.50	305	PC Buna-N	9D-723-08*028-121	9D-724-08*028-121
								FKM	9D-723-08*028-122	9D-724-08*028-122
	300	740	21.00	21.63	17.40	15.00	405	PC Buna-N	9D-723-08*074-121	9D-724-08*074-121
								FKM	9D-723-08*074-122	9D-724-08*074-122
	600	1480	26.00	26.13	18.30	16.50	560	PC Buna-N	9D-723-08*148-121	9D-724-08*148-121
								FKM	9D-723-08*148-122	9D-724-08*148-122
	900	2220	29.00	29.13	20.10	18.50	825	PC Buna-N	9D-723-08*222-121	9D-724-08*222-121
								FKM	9D-723-08*222-122	9D-724-08*222-122
10 in.	150	285	24.50	25.00	19.40	16.00	500	PC Buna-N	9D-723-10*028-121	9D-724-10*028-121
								FKM	9D-723-10*028-122	9D-724-10*028-122
	300	740	24.50	25.13	20.30	17.50	630	PC Buna-N	9D-723-10*074-121	9D-724-10*074-121
								FKM	9D-723-10*074-122	9D-724-10*074-122
	600	1480	31.00	31.13	22.20	20.00	990	PC Buna-N	9D-723-10*148-121	9D-724-10*148-121
								FKM	9D-723-10*148-122	9D-724-10*148-122
	900	2220	33.00	33.13	23.40	21.50	1260	PC Buna-N	9D-723-10*222-121	9D-724-10*222-121
								FKM	9D-723-10*222-122	9D-724-10*222-122
12 in.	150	285	27.50	28.00	23.00	19.00	810	PC Buna-N	9D-723-12*028-121	9D-724-12*028-121
								FKM	9D-723-12*028-122	9D-724-12*028-122
	300	740	28.00	28.63	23.70	20.50	970	PC Buna-N	9D-723-12*074-121	9D-724-12*074-121
								FKM	9D-723-12*074-122	9D-724-12*074-122
	600	1480	33.00	33.13	25.00	22.00	1305	PC Buna-N	9D-723-12*148-121	9D-724-12*148-121
								FKM	9D-723-12*148-122	9D-724-12*148-122
	900	2220	38.00	38.13	26.80	24.00	1775	PC Buna-N	9D-723-12*222-121	9D-724-12*222-121
								FKM	9D-723-12*222-122	9D-724-12*222-122

\* For ring type joint (RTJ) flanges, use the number 4 as the third digit of the middle set of numbers.

For raised face (RF) flanges, use the number 5 as the third digit of the middle set of numbers.

Note: Dimensions are for estimating purposes only. For critical applications, please contact factory for certified drawings.

Item #	Description	Material
1	Body	ASTM A216 WCC
2	Clapper/Arm	ASTM A351 CF8M or ASTM A487-CA15
3	Cover	ASTM A36
4	Shaft	ASTM A276 UNS S31600
5	Stem Hex Plug	ASTM A105
6	Cover Hex Plug	ASTM A105
7	Eye Bolt	Carbon Steel
8	Studs	ASTM A193 B7
9	Nuts	ASTM A194 2H
10	Cover Seal	PC Buna-N or FKM
11	Clapper Seal	PC Buna-N or FKM
12**	Removable Seat	316 or 410 ST. ST.
13**	Seat Seal	PC Buna-N or FKM



\*\* Only for valves with removable seat.

Note: 410 SS trim available upon request.

For other materials, please consult factory.

WHEATLEY®



Please contact Cameron, Valves & Measurement for current Terms and Conditions and Trademark information.



3250 Briarpark Drive, Suite 300  
Houston, Texas 77042  
USA Toll Free 800 323 9160

For the most current contact and location information go to: [www.c-a-m.com](http://www.c-a-m.com)