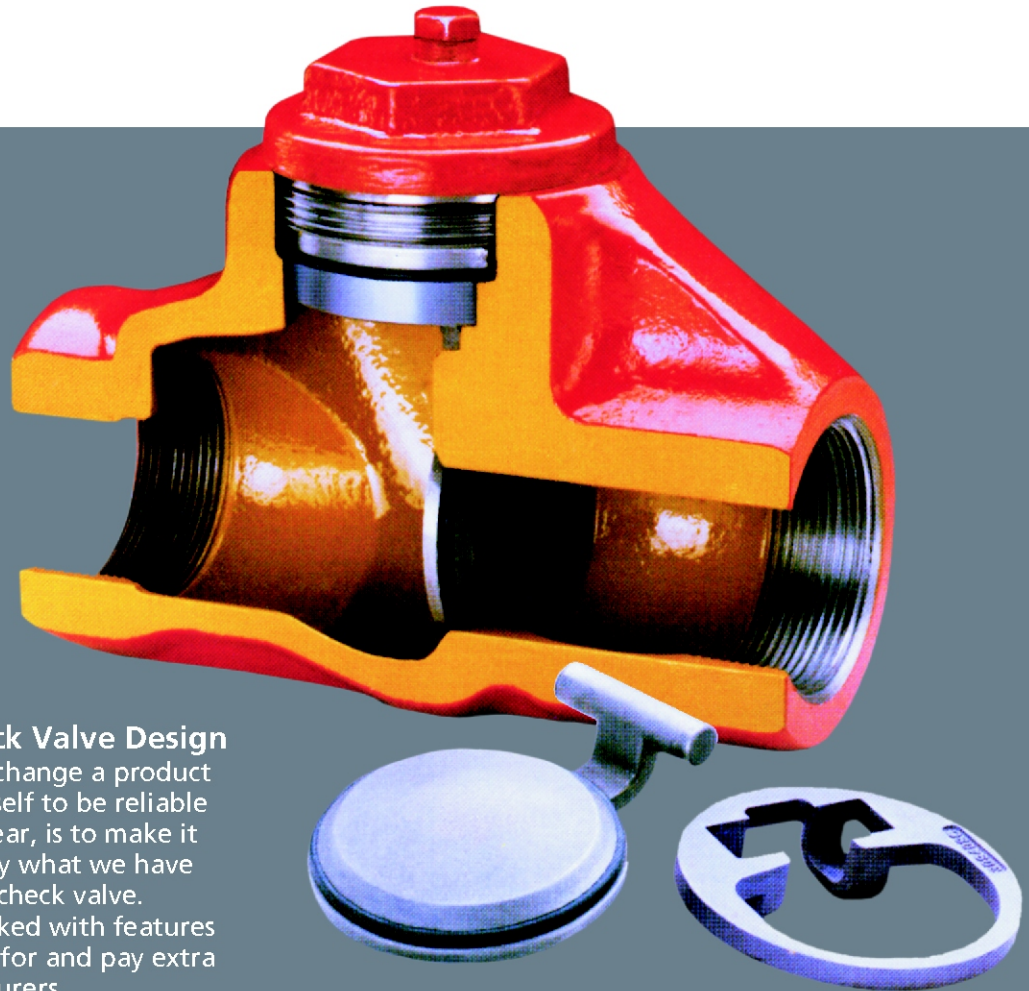


# Series 820 Check Valves



## A Revolutionary Check Valve Design

The only good reason to change a product design that has proven itself to be reliable and durable, year after year, is to make it better. And, that is exactly what we have done with the 820 Series check valve. The 820 Series is now packed with features you normally have to ask for and pay extra for, from other manufacturers.

### Here's what you get...standard

- Materials of construction conform to NACE MR0175 (2002)\*
- Solid 316 stainless steel clapper and hanger which eliminates the need for separate pins, bushings and rollers
- Compact valve geometry minimizes weight and space
- Bevelled, self-aligning clapper and seat design incorporates an o-ring in the clapper for a bubble-tight primary and metal-to-metal secondary seal
- Peroxide-cured Buna-N (FKM optional) seals
- Generous wrench flats on body and hex-head threaded cover for easier installation and maintenance
- Full opening
- Suitable for horizontal or vertical flow
- Below-the-threads cover seal isolates the cover threads from line media

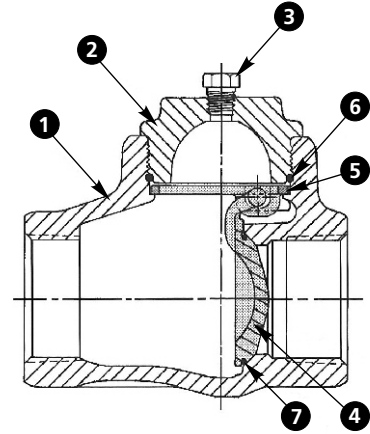
\* Gray iron is the only exception.

# WHEATLEY®

## Series 820 Check Valves Bill of Materials

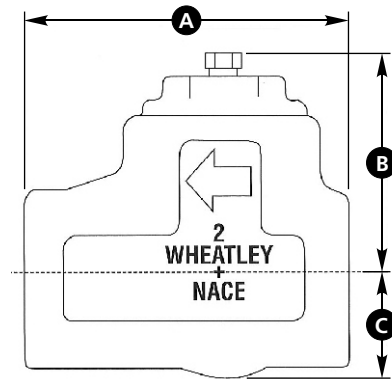
Item Number	Name of Part	Material Series				
		Gray Iron	Ductile Iron	Carbon Steel	Aluminum Bronze	Stainless Steel
1	Body	ASTM B126 Grade B	ASTM A395	ASTM A216 Grade WCC or LCC (See Note)	ASTM B148 Alloy 955	ASTM A351 Grade CF8M
2	Cover	ASTM A395	ASTM A216 ASTM A395	ASTM B148 Grade WCC or LCC (See Note)	Alloy 955	ASTM A351 Grade CF8M
3	Plug	ASTM A105	ASTM A105	ASTM A105	ASTM A276 Type 304	ASTM A276 Type 304
4	Clapper/Arm/Pin	ASTM A351 Investment Cast 316 Stainless Steel				
5	Hanger	ASTM A351 Investment Cast 316 Stainless Steel				
6	Cover Seal	90 Durometer Peroxide Cured Buna-N (FKM Optional)				
7	Clapper Seal	90 Durometer Peroxide Cured Buna-N (FKM Optional)				

Note: 1/2 in. & 3/4 in. Carbon Steel ASTM A487 4A or 4B



## Product Specifications

Material Series	Order Number	Valve Size (in.)	End Connection	Working Pressure	Weight (lbs.)	A (in.)	B (in.)	C (in.)
Gray Iron	9D-820-031030-031	3	Grooved	300	21	10 3/4	5 3/4	2 1/2
	9D-820-033030-031	3	NPT	300	23	8	5 3/4	2 1/2
	9D-820-041030-031	4	Grooved	300	34	12	6 5/8	3
	9D-820-043030-031	4	NPT	300	35	10	6 5/8	3
Ductile Iron	9D-820-013100-231	1	NPT	1000	4	4 1/4	2 3/4	1 1/8
	9D-820-013150-231	1	NPT	1500	4	4 1/4	2 3/4	1 1/8
	9D-820-013200-231	1	NPT	2000	4	4 1/4	2 3/4	1 1/8
	9D-820-021250-231	2	Grooved	2500	9	7	4 1/4	1 13/16
	9D-820-021250-280	2	Grooved	2500	10	9	4 1/4	1 13/16
	9D-820-023030-231	2	NPT	300	10	6	4 1/4	1 13/16
	9D-820-023060-231	2	NPT	600	10	6	4 1/4	1 13/16
	9D-820-023075-231	2	NPT	750	10	6	4 1/4	1 13/16
	9D-820-023100-231	2	NPT	1000	10	6	4 1/4	1 13/16
	9D-820-023150-231	2	NPT	1500	10	6	4 1/4	1 13/16
	9D-820-023200-231	2	NPT	2000	10	6	4 1/4	1 13/16
	9D-820-023200-280	2	NPT	600	13	7 1/4	4 1/4	1 13/16
	9D-820-023100-280	2	NPT	1000	13	7 1/4	4 1/4	1 13/16
	9D-820-023150-280	2	NPT	1500	13	7 1/4	4 1/4	1 13/16
	9D-820-023200-280	2	NPT	2000	13	7 1/4	4 1/4	1 13/16
	9D-820-031250-231	3	Grooved	2500	22	10 3/4	5 3/4	2 1/2
	9D-820-033060-231	3	NPT	600	23	8	5 3/4	2 1/2
	9D-820-033100-231	3	NPT	1000	23	8	5 3/4	2 1/2
	9D-820-033150-231	3	NPT	1500	23	8	5 3/4	2 1/2
	9D-820-033200-231	3	NPT	2000	23	8	5 3/4	2 1/2
9D-820-043100-231	4	NPT	1000	35	10	6 5/8	3	
Carbon Steel	9D-820-503027-131	1/2	NPT	275	4	3 1/2	2 3/4	1 1/8
	9D-820-503072-131	1/2	NPT	720	4	3 1/2	2 3/4	1 1/8
	9D-820-503144-131	1/2	NPT	1440	4	3 1/2	2 3/4	1 1/8
	9D-820-503216-131	1/2	NPT	2160	4	3 1/2	2 3/4	1 1/8
	9D-820-503360-131	1/2	NPT	3600	4	3 1/2	2 3/4	1 1/8
	9D-820-753027-131	3/4	NPT	275	4	3 1/2	2 3/4	1 1/8
	9D-820-753072-131	3/4	NPT	720	4	3 1/2	2 3/4	1 1/8
	9D-820-753144-131	3/4	NPT	1440	4	3 1/2	2 3/4	1 1/8
	9D-820-753216-131	3/4	NPT	2160	4	3 1/2	2 3/4	1 1/8
	9D-820-753360-131	3/4	NPT	3600	4	3 1/2	2 3/4	1 1/8
	9D-820-013027-131	1	NPT	275	4	4 1/4	2 3/4	1 1/8
	9D-820-013072-131	1	NPT	720	4	4 1/4	2 3/4	1 1/8
	9D-820-013144-131	1	NPT	1440	4	4 1/4	2 3/4	1 1/8
	9D-820-013216-131	1	NPT	2160	4	4 1/4	2 3/4	1 1/8
	9D-820-013360-131	1	NPT	3600	4	4 1/4	2 3/4	1 1/8
	9D-820-153027-131	1 1/2	NPT	275	10	6	4 1/4	1 13/16
	9D-820-153072-131	1 1/2	NPT	720	10	6	4 1/4	1 13/16
	9D-820-153144-131	1 1/2	NPT	1440	10	6	4 1/4	1 13/16
	9D-820-153216-131	1 1/2	NPT	2160	10	6	4 1/4	1 13/16
	9D-820-153360-131	1 1/2	NPT	3600	10	6	4 1/4	1 13/16
	9D-820-021027-131	2	Grooved	275	11	9	4 1/4	1 13/16
	9D-820-021072-131	2	Grooved	720	11	9	4 1/4	1 13/16
	9D-820-021144-131	2	Grooved	1440	11	9	4 1/4	1 13/16
	9D-820-021216-131	2	Grooved	2160	11	9	4 1/4	1 13/16
	9D-820-021250-131	2	Grooved	2500	11	9	4 1/4	1 13/16
	9D-820-023027-131	2	NPT	275	13	7 1/4	4 1/4	1 13/16
	9D-820-023072-131	2	NPT	720	13	7 1/4	4 1/4	1 13/16
	9D-820-023144-131	2	NPT	1440	13	7 1/4	4 1/4	1 13/16
	9D-820-023216-131	2	NPT	2160	13	7 1/4	4 1/4	1 13/16
	9D-820-023360-131	2	NPT	3600	13	7 1/4	4 1/4	1 13/16
	9D-820-033027-131	3	NPT	275	28	8 3/4	5 3/4	2 1/2
	9D-820-033072-131	3	NPT	720	28	8 3/4	5 3/4	2 1/2
	9D-820-033144-131	3	NPT	1440	28	8 3/4	5 3/4	2 1/2
	9D-820-033216-131	3	NPT	2160	28	8 3/4	5 3/4	2 1/2
	9D-820-043027-131	4	NPT	275	38	10	6 5/8	3
	9D-820-043072-131	4	NPT	720	38	10	6 5/8	3
9D-820-043144-131	4	NPT	1440	38	10	6 5/8	3	
Aluminum Bronze	9D-820-013216-631	1	NPT	2160	4	4 1/4	2 3/4	1 1/8
	9D-820-013360-631	1	NPT	3600	4	4 1/4	2 3/4	1 1/8
	9D-820-023144-631	2	NPT	275-1440	13	7 1/4	4 1/4	1 13/16
	9D-820-023216-631	2	NPT	2160	13	7 1/4	4 1/4	1 13/16
	9D-820-023360-631	2	NPT	3600	13	7 1/4	4 1/4	1 13/16



### Parts Replacement Kits

Material Series	Order Number	Valve Size
Gray Iron	9D-820-03003*- GIK	3
	9D-820-04003*- GIK	4
Ductile Iron	9D-820-01020*- DIK	1
	9D-820-02020*- DIK	1 1/2
	9D-820-02020*- DIK	2
	9D-820-03020*- DIK	2 1/2
	9D-820-03020*- DIK	3
	9D-820-04010*- DIK	4
Carbon Steel	9D-820-01036*- CSK	1
	9D-820-02021*- CSK	1 1/2
	9D-820-02021*- CSK	2
	9D-820-03021*- CSK	2 1/2
	9D-820-03021*- CSK	3
	9D-820-04014*- CSK	4
Aluminum Bronze	9D-820-01036*- ABK	1
	9D-820-02021*- ABK	1 1/2
	9D-820-02021*- ABK	2

Replace \* with a "B" for Buna-N seals or a "V" for FKM seals.

Parts kit includes Item Numbers 4, 6 and 7.

WHEATLEY®



3250 Briarpark Drive, Suite 300  
Houston, Texas 77042  
USA Toll Free 800 323 9160

Please contact Cameron, Valves & Measurement for current Terms and Conditions and Trademark information.

For the most current contact and location information go to: [www.c-a-m.com](http://www.c-a-m.com)