

Corrosion Resistant Bronze Check Valves



WHEATLEY®

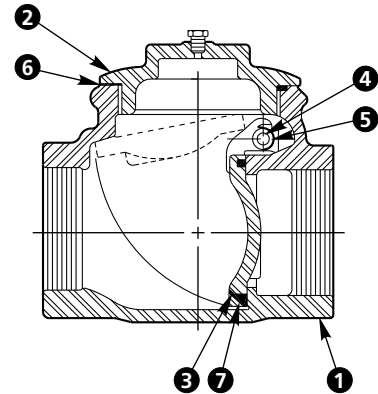
CORROSION RESISTANT BRONZE CHECK VALVES

Product Features:

- Full-open design in sizes 1 inch through 4 inch
- Bronze construction (ASTM B584 or ASTM B62) available for pressures to 300 psi
- Peroxide Cured Buna-N clapper and cover seals assure zero valve leakage
- Designed for oil and gas production lines, utility service and production manifolds
- Ideal for salt water and other corrosive applications

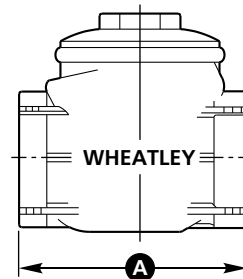
Bill of Materials

Item Number	Name of Part	Material	Qty.
1	Body	Cast Bronze	1
2	Cover	Cast Bronze	1
3	Clapper	Cast Bronze	1
4	Pin	Bronze	1
5	Bushing	Bronze	2
6	Cover Seal	90 Durometer	1
7	Clapper Seal	Peroxide Cured Buna-N	



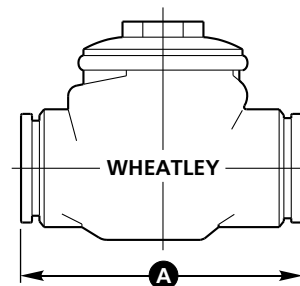
Threaded Ends

Valve Size (in.)	Working Pressure	A End to End (in.)	Weight (lbs.)	Order Number
1	300	3 9/16	2	9D-830-013030-501
2	300	5 3/16	5	9D-830-023030-501
2 1/2	300	7 1/4	13	9D-830-253030-580
3	300	7 1/4	12	9D-830-033030-501
4	300	9 1/4	26	9D-830-043030-501



Grooved Ends

Valve Size (in.)	Working Pressure	A End to End (in.)	Weight (lbs.)	Order Number
2	300	6 1/32	5	9D-830-021030-501
3	300	7 5/8	12	9D-830-031030-501
4	300	9 9/16	26	9D-830-041030-501



Please contact Cameron, Valves & Measurement for current Terms and Conditions and Trademark information.

WHEATLEY®



3250 Briarpark Drive, Suite 300
Houston, Texas 77042
USA Toll Free 800 323 9160

For the most current contact and location information go to: www.c-a-m.com