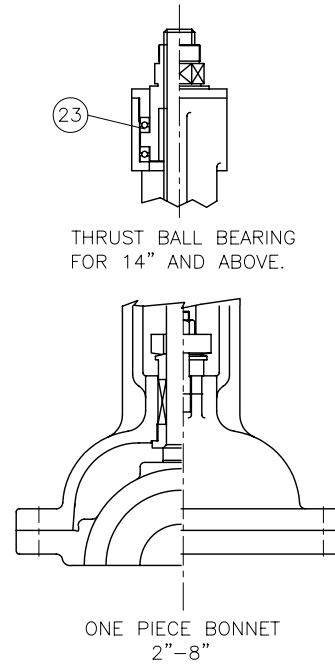
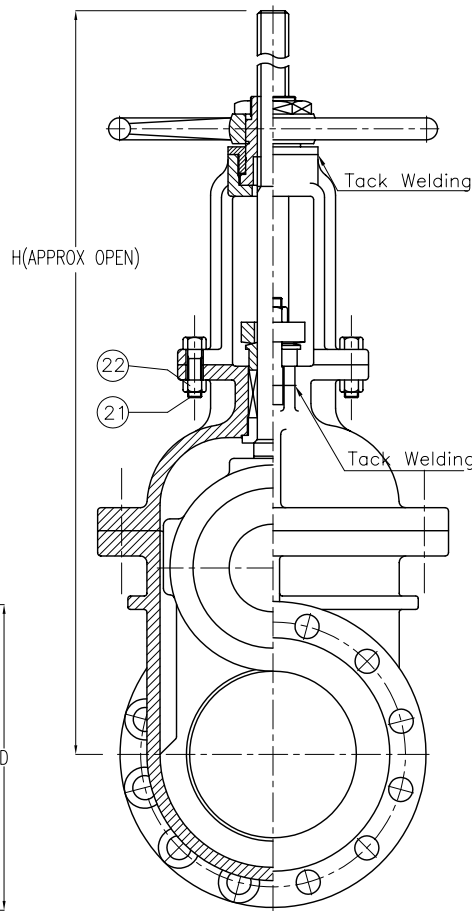
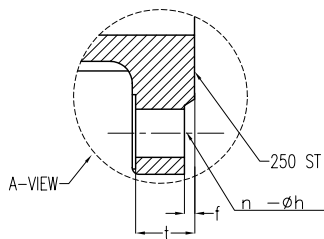
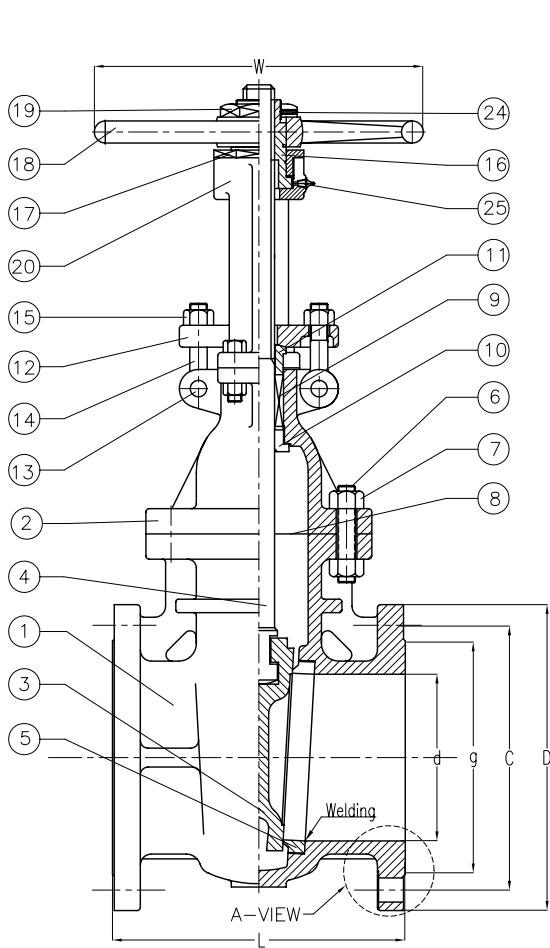


Wm. E. Williams No. 15F2 Class 150 RF OS&Y Gate Valve ASTM A 216 WCB (API Trim 8)



MATERIAL SPECIFICATION			
NO.	PART NAME	MATERIALS	Q'TY
1	BODY	A216Gr WCB	1
2	BONNET	A216Gr WCB	1
3	DISC	2"-6" 8"&OVER A217 CA15 A216GR WCB W/13CrFACED	1
4	STEM	A479 Gr410 (13Cr)	1
5	SEAT RING	A105 H/F CO-CrA	2
6	BONNET BOLT	A193Gr B7	1SET
7	BONNET NUT	A194Gr 2H	1SET
8	GASKET	P#1400G	1
9	PACKING	P#6610+P#6528	1SET
10	BACK SEAT	A479 Gr 410	1
11	GLAND RING	A479 Gr 410	1
12	GLAND FLANGE	A105 or WCB	1
13	HINGE PIN	A105 or 410	2
14	GLAND BOLT	A307Gr B	2
15	GLAND NUT	A307Gr B	2
16	YOKE SLEEVE	A439Gr D2C	1
17	SLEEVE NUT	A479Gr 410 or WCB	1
18	HAND WHEEL	A197	1
19	HANDLE NUT	A479Gr 410 or WCB	1
20	YOKE	A216Gr WCB	1
21	YOKE BOLT	A307Gr B	4
22	YOKE NUT	A307Gr B	4
23	BEARING	STEEL	2
24	SET SCREW	STEEL	1
25	GREASE NIPPLE	STEEL	1

UNIT: INCH

SIZE	d	L	D	C	g	t	f	n-h	H	W
2.00	2.00	7.00	6.00	4.75	3.63	0.63	0.060	4-0.75	15.75	7.00
2.50	2.50	7.50	7.00	5.55	4.13	0.69	0.060	4-0.75	16.75	7.00
3.00	3.00	8.00	7.50	6.00	5.00	0.75	0.060	4-0.75	21.12	9.82
4.00	4.00	9.00	9.00	7.50	6.18	0.94	0.060	8-0.75	22.37	10.50
5.00	5.00	10.00	10.00	8.50	7.32	0.94	0.060	8-0.87	26.37	10.50
6.00	6.00	10.50	11.00	9.50	9.50	1.00	0.060	8-0.87	31.22	12.00
8.00	8.00	11.50	13.50	11.75	10.63	1.13	0.060	8-0.87	38.85	15.00
10.00	10.00	13.00	16.00	14.25	12.75	1.19	0.060	12-1.00	46.88	15.75
12.00	12.00	14.00	19.00	17.00	15.00	1.25	0.060	12-1.00	54.29	17.71
14.00	13.25	15.00	21.00	18.75	16.25	1.38	0.060	12-1.12	66.88	22.00
16.00	15.25	16.00	23.50	21.25	18.50	1.44	0.060	16-1.12	71.25	22.00
18.00	17.25	17.00	25.00	22.75	21.00	1.56	0.060	16-1.25	80.70	23.62
20.00	19.25	18.00	27.00	25.00	23.00	1.69	0.060	20-1.25	83.85	25.60
24.00	23.25	20.00	32.00	29.50	27.25	1.88	0.060	20-1.37	103.5	25.60

*Larger sizes available.

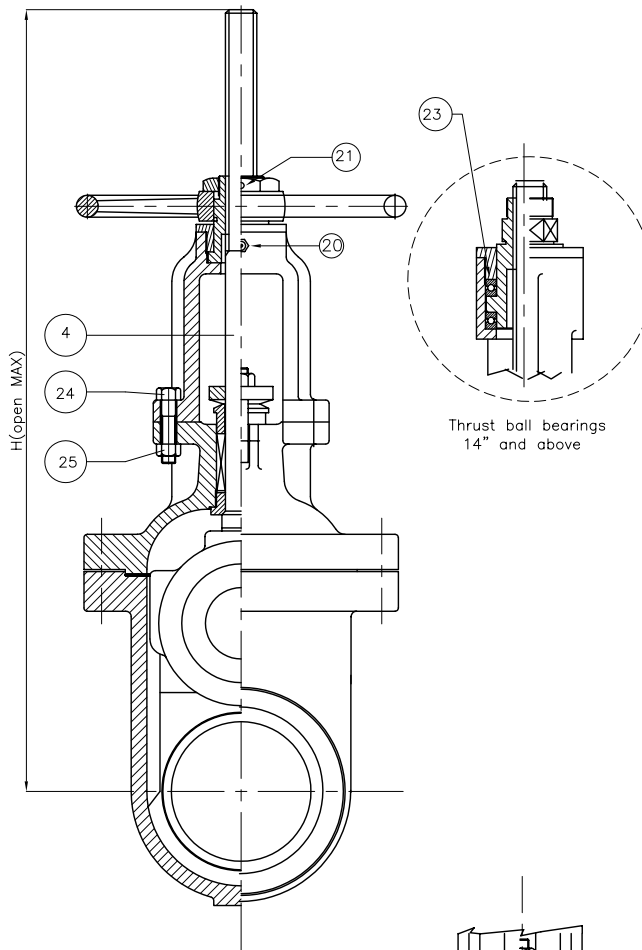
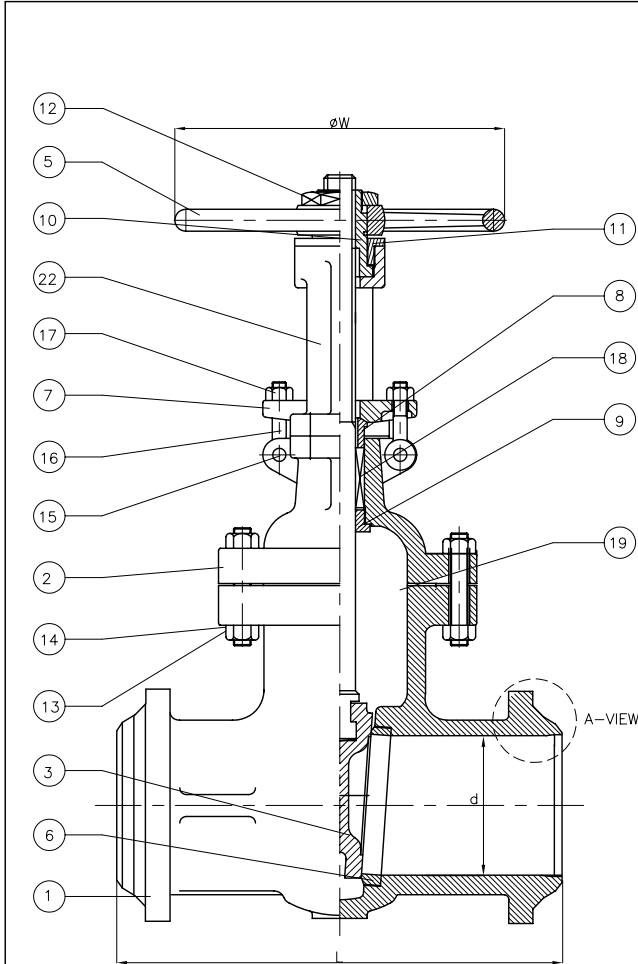


WILLIAMS
VALVE CORPORATION

△					MARKING SYSTEM	MSS-SP-25	INSPECTION & TEST: API 598
△					DIM. OF FLANGE	ANSI B16.5	SHELL HYDRO 450PSI
△					FACE TO FACE	ANSI B16.10	SEAT AIR 80PSI
△					WALL THICKNESS	API 600	BACK SEAT HYDRO 315 PSI
NO.	DATE	DESCRIPTION	PRP'D	REV'D	APP'D	DESIGNED	API 600, ANSI B16.34

TITLE	CAST STEEL GATE VALVE CLASS 150 R,F B,B OS&Y		
SCALE	Fig #	DRAWING NO.	REV.
NONE	15F2	60GA060113	01

Wm. E. Williams No. 15W2 Class 150 BW OS&Y Gate Valve ASTM A 216 WCB (API Trim 8)



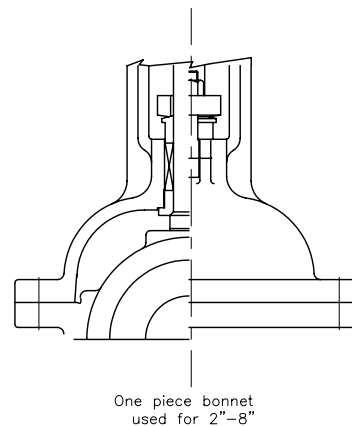
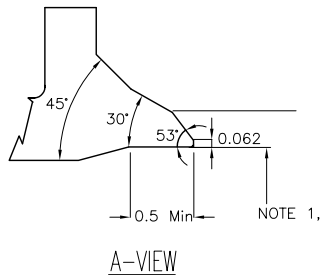
25	YOKE NUT	Carbon Steel	A307Gr B
24	YOKE BOLT	Carbon Steel	A307Gr B
23	BEARING	Steel	
22	YOKE	Carbon Steel	A216Gr WCB
21	SET SCREW	Steel	
20	NIPPLE	Steel	
19	GASKET	Metal	Graphite Overlay
18	PACKING	Graphited	P#6610+P#6528
17	GLAND NUT	Carbon Steel	A307Gr B
16	GLAND BOLT	Carbon Steel	A307Gr B
15	GLAND BOLT PIN	Carbon Steel	A105
14	BONNET NUT	Carbon Steel	A194Gr 2H
13	BONNET BOLT	Carbon Steel	A193Gr B7
12	HANDLE NUT	Carbon Steel	A105 or WCB
11	SLEEVE NUT	Carbon Steel	A105 or WCB
10	YOKE SLEEVE	Ductile Iron	A439Gr D2C
9	BACK SEAT	Stainless Steel ①	A479Gr 410
8	GLAND RING	Stainless Steel	A479Gr 410
7	GLAND FLANGE	Carbon Steel	A105 or WCB
6	SEAT RING	A105/HF ①	Stellite faced
5	HAND WHEEL	Ductile Iron	A197
4	STEM	Stainless Steel ①	A479Gr 410
3	WEDGE	A216Gr WCB ①	410/WELD
2	BONNET	Carbon Steel	A216Gr WCB
1	BODY	Carbon steel	A216Gr WCB
No:	Part	Material	Specifications

NOTE:

- SPECIFY PIPE SCHEDULE No. REQUIRED.
- RIM #2, (API #8), OTHER TRIMS AVAILABLE

UNIT: INCH

SIZE	d	L	H	W
2.00	2.00	8.50	15.75	7.08
2.50	2.50	9.50	17.75	7.08
3.00	3.00	11.12	20.50	8.81
4.00	4.00	12.00	23.30	10.25
5.00	5.00	15.00	27.75	10.25
6.00	6.00	15.88	32.00	11.81
8.00	8.00	16.50	39.50	14.00
10.00	10.00	18.00	47.63	15.57
12.00	12.00	19.75	56.00	17.72
14.00	14.00	22.50	61.50	22.00
16.00	15.25	24.00	72.83	22.00
18.00	17.25	26.00	77.20	23.62
20.00	19.25	28.00	87.00	25.62
24.00	23.25	32.00	100.0	25.62



STANDARDS	Face to Face / End to End	ANSI B16.10		
	Buttweldnig End	ANSI 16.25		
	Basic Design	API 600 ANSI B16.34		
	Testing	API 598	DATE	REVISION RECORD

WILLIAM E. **WILLIAMS**
VALVE CORPORATION
38-52 REVIEW AVE L.I.C N.Y 1110 1

TITLE : CAST STEEL GATE VALVE
CLASS 150 B,B OS&Y, BUTTWELD END
Fig# 15W-2 SIZE: 2"-24"
MAT'L: WCB SCALE: NONE SHEET: 1/1
DATE DR. CHK. APP'D DWG# 60GA060118

*Other size available upon request.