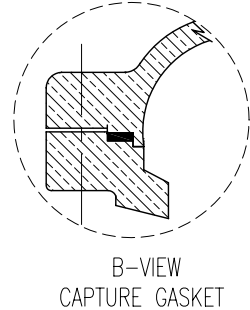
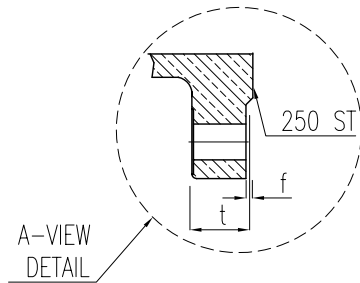
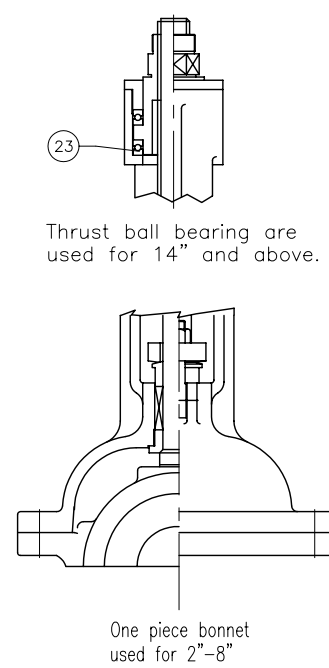
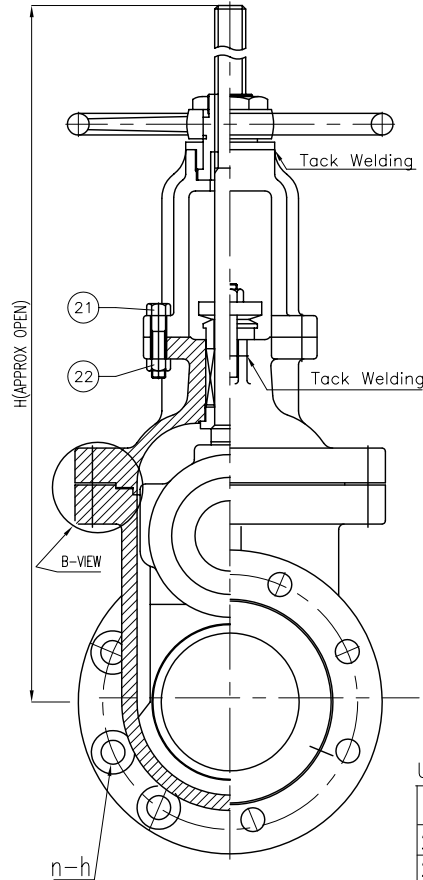
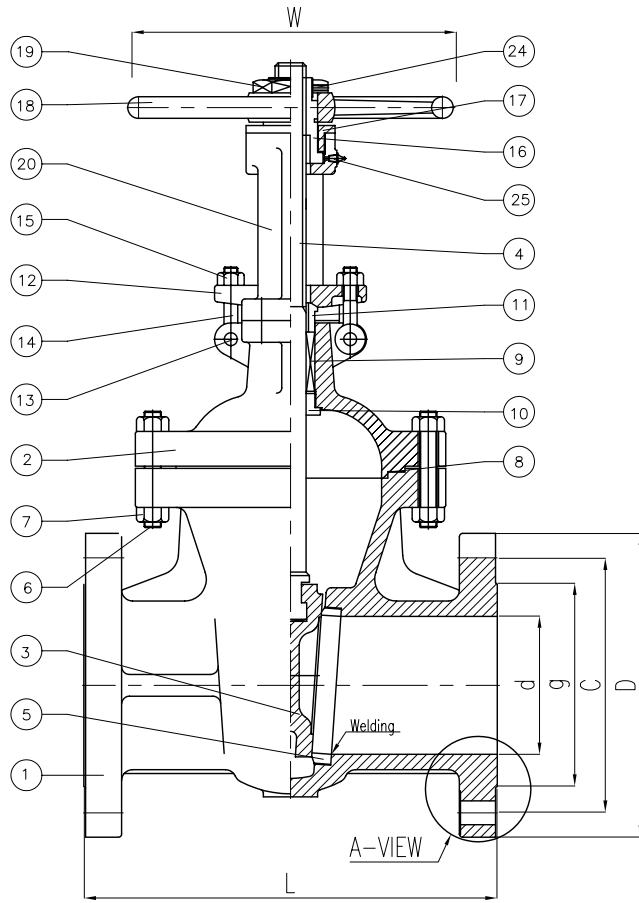


Wm. E. Williams No. 30F2 Class 300 RF OS&Y Gate Valve ASTM A 216 WCB (API Trim 8)



BILL OF MATERIALS				
NO.	PART NAME	MATERIALS	Q'TY	
1	BODY	A216Gr WCB	1	
2	BONNET	A216Gr WCB	1	
3	DISC	2"-6"	A217 CA15	1
		8"&OVER	A216 GR WCB W/13Cr FACE	1
4	STEM	A479Gr 410	1	
5	SEAT RING	A105 H/F CO-Cr A	2	
6	BONNET BOLT	A193Gr B7	1SET	
7	BONNET NUT	A194Gr 2H	1SET	
8	GASKET	P#1400G	1	
9	PACKING	P#6610+P#6528	1SET	
10	BACK SEAT	A479Gr 410	1	
11	GLAND RING	A479Gr 410	1	
12	GLAND FLANGE	A105 or WCB	1	
13	HINGE PIN	A105 or 410	2	
14	GLAND BOLT	A307Gr B	2	
15	GLAND NUT	A307Gr B	2	
16	YOKE SLEEVE	A439Gr D2C	1	
17	SLEEVE NUT	A479Gr 410 or WCB	1	
18	HAND WHEEL	A197	1	
19	HANDLE NUT	A479Gr 410 or WCB	1	
20	YOKE	A216Gr WCB	1	
21	YOKE BOLT	A307Gr B	4	
22	YOKE NUT	A307Gr B	4	
23	BEARING	STEEL	2	
24	SET SCREW	STEEL	1	
25	GREASE NIPPLE	STEEL	1	

UNIT: INCH

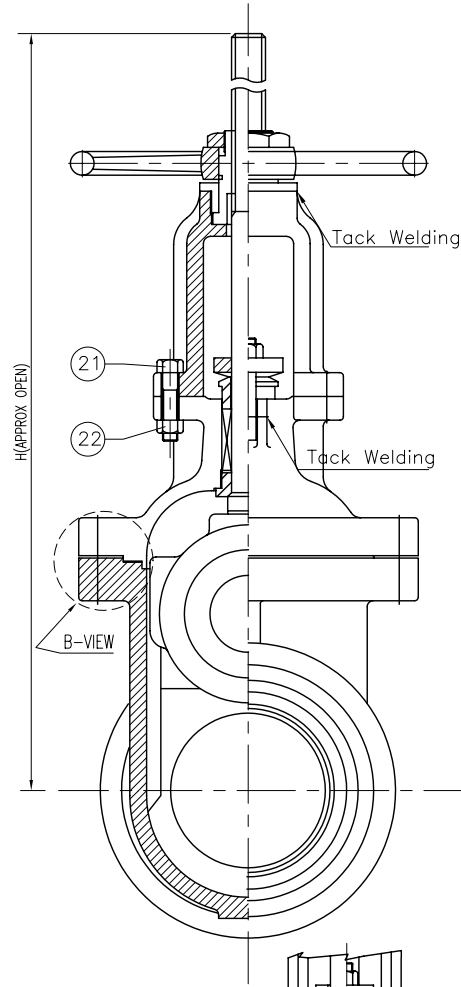
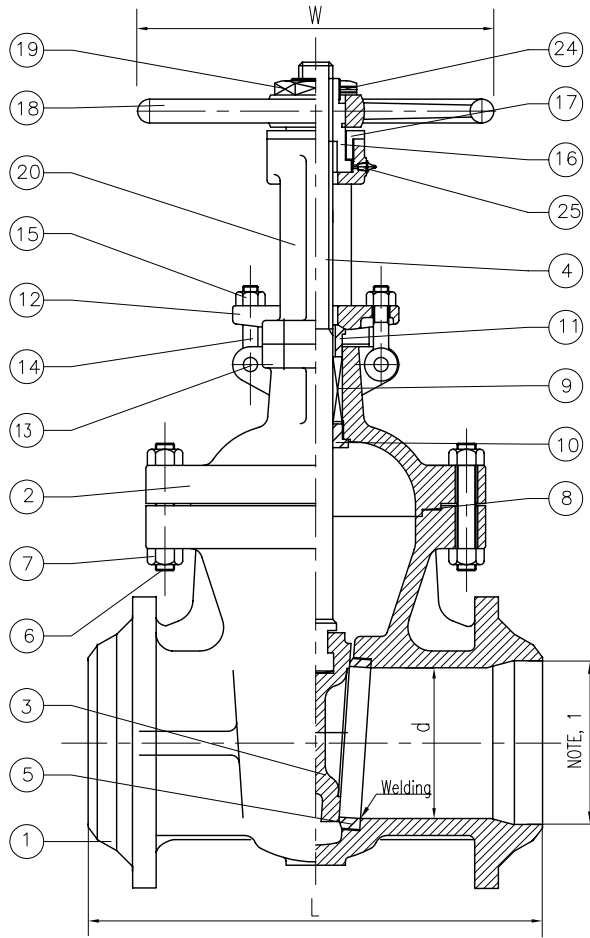
SIZE	d	L	D	C	g	t	f	n-h	H	W
2.00	2.00	8.50	6.50	5.00	3.63	0.88	0.060	8-0.75	16.50	7.00
2.50	2.50	9.50	7.50	5.875	4.12	1.00	0.060	8-0.87	17.50	7.00
3.00	3.00	11.12	8.25	6.625	5.00	1.12	0.060	8-0.87	20.70	8.75
4.00	4.00	12.00	10.00	7.875	6.18	1.25	0.060	8-0.87	22.83	10.50
5.00	5.00	15.00	11.00	9.250	7.32	1.38	0.060	8-0.87	28.22	11.87
6.00	6.00	15.88	12.50	10.63	8.50	1.44	0.060	12-0.87	32.00	14.00
8.00	8.00	16.50	15.00	13.00	10.62	1.62	0.060	12-1.00	38.70	15.75
10.00	10.00	18.00	17.50	15.25	12.75	1.88	0.060	16-1.12	46.81	17.75
12.00	12.00	19.75	20.50	17.75	15.00	2.00	0.060	16-1.25	54.72	17.85
14.00	13.25	30.00	23.00	20.25	16.25	2.12	0.060	20-1.25	63.00	22.00
16.00	15.25	33.00	25.50	22.50	18.00	2.25	0.060	20-1.37	72.83	23.63
18.00	17.00	36.00	28.00	24.75	21.00	2.38	0.060	24-1.37	80.31	23.63
20.00	19.00	39.00	30.50	27.00	23.00	2.50	0.060	24-1.37	86.50	25.00
24.00	23.00	45.00	36.00	32.00	27.00	2.75	0.060	24-1.62	110.75	27.50



					MARKING SYSTEM	MSS-SP-25	INSPECTION & TEST: API 598		
	DEC-01	CORRECT 'L' DIM			DIM.OF FLANGE	ANSI B16.5	SHELL	HYDRO	1125PSI
		ISSUED FOR PROPOSAL			FACE TO FACE	ANSI B16.10	SEAT	AIR	80PSI
					WALL THICKNESS	API 600	BACK SEAT	HYDRO	825PSI
NO.	DATE	DESCRIPTION	PRP'D	REV'D	APP'D	DESIGNED	API 600, ANSI B16.34		

TITLE	CAST STEEL GATE VALVE CLASS 300 R.F.B.OS&Y.		
SCALE	Fig #	DRAWING NO.	REV.
NONE	30F2	60GA060107	01

Wm. E. Williams No. 30W2 Class 300 BW OS&Y Gate Valve ASTM A 216 WCB (API Trim 8)

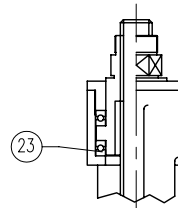
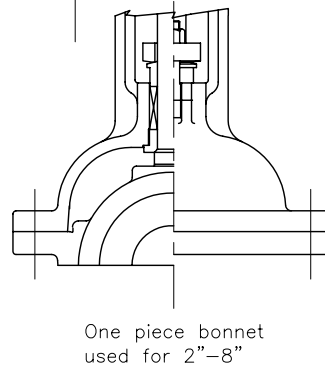
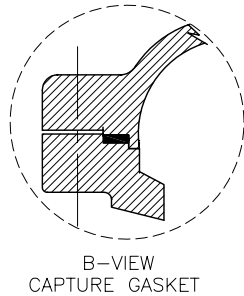


BILL OF MATERIALS				
NO.	PART NAME	MATERIALS	Q'TY	
1	BODY	A216Gr WCB	1	
2	BONNET	A216Gr WCB	1	
3	DISC	2"-6"	A217 CA15	1
		8"&OVER	A216 GR WCB W/13Cr FACE	1
4	STEM	A479Gr 410	1	
5	SEAT RING	A105 H/F CO-Cr A	2	
6	BONNET BOLT	A193Gr B7	1SET	
7	BONNET NUT	A194Gr 2H	1SET	
8	GASKET	P#1400G	1	
9	PACKING	P#6610+P#6528	1SET	
10	BACK SEAT	A479Gr 410	1	
11	GLAND RING	A479Gr 410	1	
12	GLAND FLANGE	A105 or WCB	1	
13	HINGE PIN	A105 or 410	2	
14	GLAND BOLT	A307Gr B	2	
15	GLAND NUT	A307Gr B	2	
16	YOKE SLEEVE	A439Gr D2C	1	
17	SLEEVE NUT	A479Gr 410 or WCB	1	
18	HAND WHEEL	A197	1	
19	HANDLE NUT	A479Gr 410 or WCB	1	
20	YOKE	A216Gr WCB	1	
21	YOKE BOLT	A307Gr B	4	
22	YOKE NUT	A307Gr B	4	
23	BEARING	STEEL	2	
24	SET SCREW	STEEL	1	
25	GREASE NIPPLE	STEEL	1	

NOTE:
 1. SPECIFY PIPE SCHEDULE No. REQUIRED.
 2. TRIM #2, (API #8), OTHER TRIMS AVAILABLE

UNIT: INCH

SIZE	d	L	H	W
2.00	2.00	8.50	16.50	7.00
2.50	2.50	9.50	17.50	7.00
3.00	3.00	11.12	20.70	8.75
4.00	4.00	12.00	22.83	10.50
5.00	5.00	15.00	28.22	11.87
6.00	6.00	15.88	32.00	14.00
8.00	8.00	16.50	38.70	15.75
10.00	10.00	18.00	46.81	17.75
12.00	12.00	19.75	54.72	17.85
14.00	13.25	30.00	63.00	22.00
16.00	15.25	33.00	72.83	23.63
18.00	17.00	36.00	80.31	23.63
20.00	19.00	39.00	86.50	25.00
24.00	23.00	45.00	110.75	27.50



Thrust ball bearing are used for 14" and above.

NO.	DATE	DESCRIPTION	PRP'D	REV'D	APP'D	DESIGNED	MARKING SYSTEM	MSS-SP-25	INSPECTION & TEST: API 598
		ISSUED FOR PROPOSAL					BUTTWELDING END	ANSI B16.25	SHELL HYDRO 1125PSI
							FACE TO FACE	ANSI B16.10	SEAT AIR 80PSI
							WALL THICKNESS	API 600	BACK SEAT HYDRO 825PSI
								API 600, ANSI B16.34	

WILLIAMS
VALVE CORPORATION

TITLE CAST STEEL BUTTWELD END
CLASS 300 B.B,OS&Y. GATE VALVE

SCALE	Fig #	DRAWING NO.	REV. 01
NONE	30W-2	60GA060110	