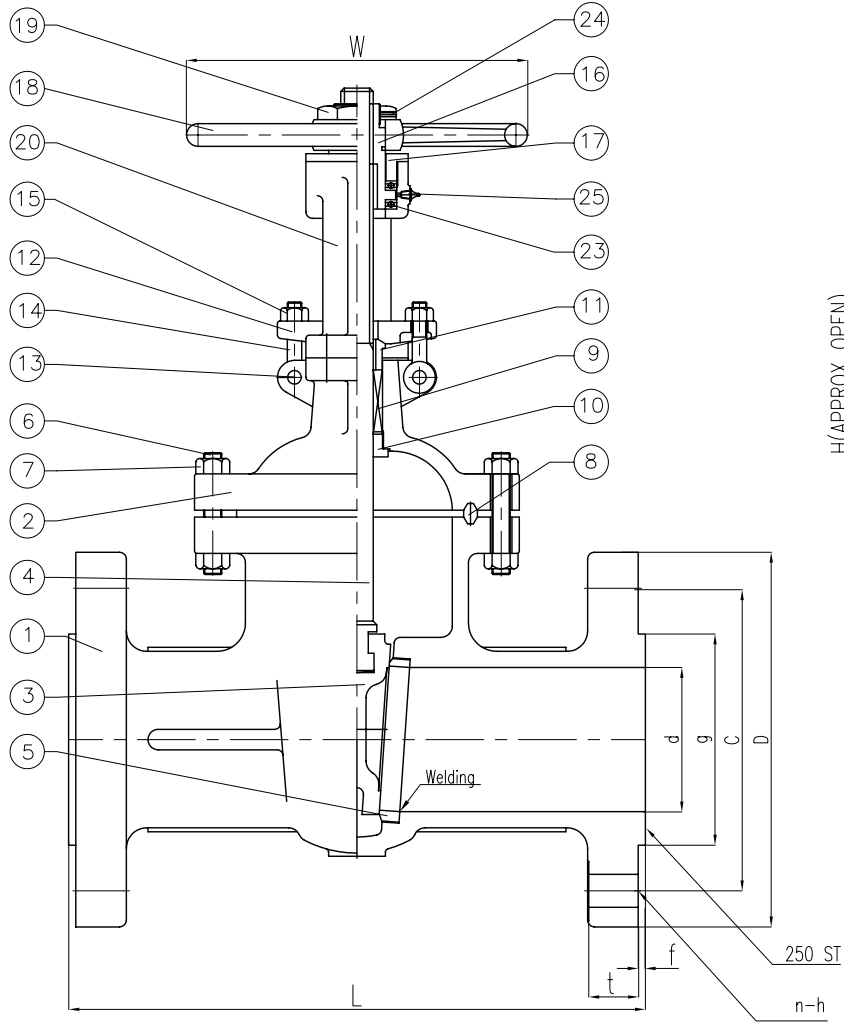
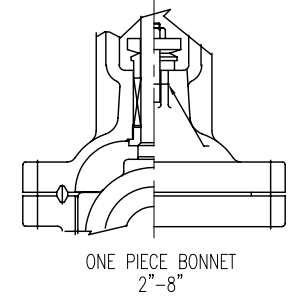
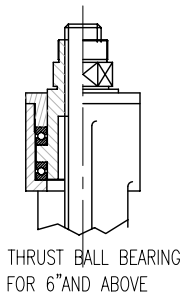
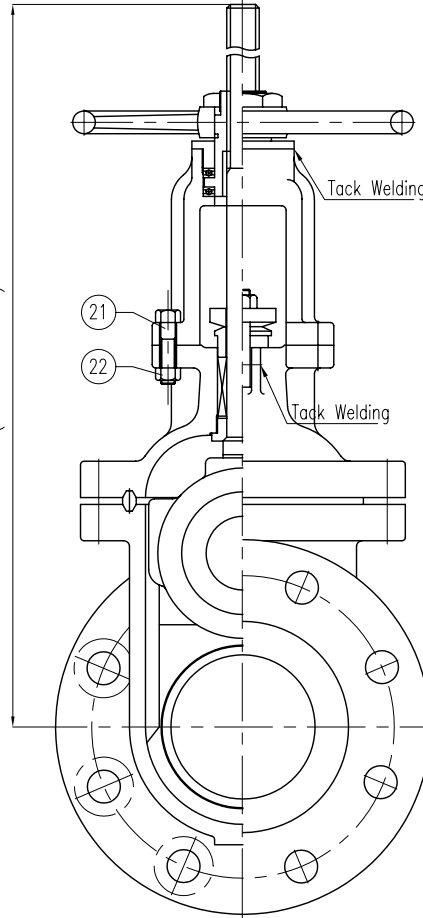


Wm. E. Williams No. 60F2 Class 600 RF OS&Y Gate Valve ASTM A 216 WCB (API Trim 8)



H (APPROX OPEN)



BILL OF MATERIALS			
NO.	PART NAME	MATERIALS	Q'TY
1	BODY	A216Gr WCB	1
2	BONNET	A216Gr WCB	1
3	DISC	2"-6" A217 Gr CA15 8"&ABOVE A216 Gr WCB W/13Cr FACED	1
4	STEM	A479Gr 410	1
5	SEAT RING	A105 H/F CO-CrA	2
6	BONNET BOLT	A193Gr B7M	1SET
7	BONNET NUT	A194Gr 2HM	1SET
8	GASKET	P#1500	1
9	PACKING	P#6610+P#6528	1SET
10	BACK SEAT	A479Gr 410	1
11	GLAND RING	A479Gr 410	1
12	GLAND FLANGE	A105 or WCB	1
13	HINGE PIN	A105 or 410	2
14	GLAND BOLT	A307Gr B	2
15	GLAND NUT	A307Gr B	2
16	YOKE SLEEVE	A439Gr D2C	1
17	SLEEVE NUT	A479Gr 410 or WCB	1
18	HAND WHEEL	A197	1
19	HANDLE NUT	A479Gr 410 or WCB	1
20	YOKE	A216Gr WCB	1
21	YOKE BOLT	A307Gr B	4
22	YOKE NUT	A307Gr B	4
23	BEARING	STEEL	2
24	SET SCREW	STEEL	1
25	GREASE NIPPLE	STEEL	1

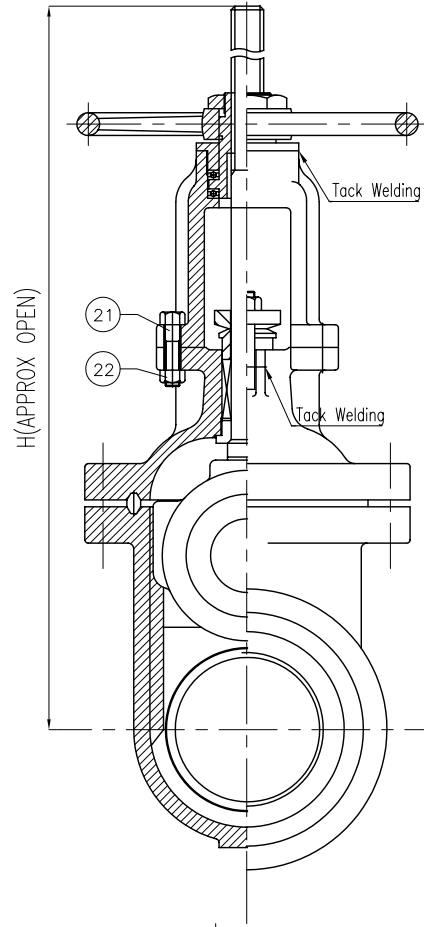
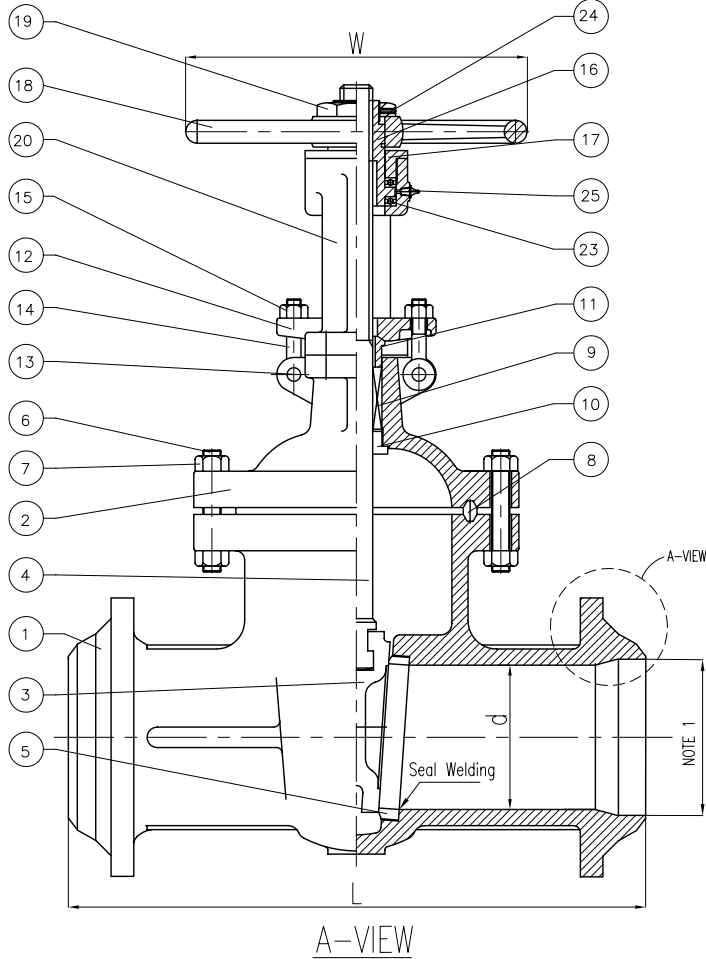
UNIT: INCH

SIZE	d	L	D	C	q	t	f	n-h	H	W
2.00	2.00	11.50	6.50	5.00	3.62	1.00	0.250	8-0.75	16.35	8.82
2.50	2.50	13.00	7.50	5.875	4.12	1.12	0.250	8-0.87	19.37	8.82
3.00	3.00	14.00	8.25	6.625	5.00	1.25	0.250	8-0.87	21.30	10.25
4.00	4.00	17.00	10.75	8.500	6.25	1.50	0.250	8-1.00	26.62	11.81
5.00	5.00	20.00	13.00	10.50	7.32	1.75	0.250	8-1.12	32.50	14.00
6.00	6.00	22.00	14.00	11.50	8.50	1.88	0.250	12-1.12	35.60	15.75
8.00	7.88	26.00	16.50	13.75	10.63	2.19	0.250	12-1.25	44.92	17.71
10.00	9.75	31.00	20.00	17.00	12.75	2.50	0.250	16-1.37	50.95	23.63
12.00	11.75	33.00	22.00	19.25	15.00	2.62	0.250	20-1.37	63.75	23.63
14.00	12.88	35.00	23.75	20.75	16.25	2.75	0.250	20-1.50	69.37	25.59
16.00	14.75	39.00	27.00	23.75	18.50	3.00	0.250	20-1.62	78.15	25.59
18.00	16.50	43.00	29.25	25.75	21.00	3.25	0.250	20-1.75	87.16	27.55
20.00	18.25	47.00	32.00	28.50	23.00	3.50	0.250	20-1.75	96.88	31.50
24.00	22.00	55.00	37.00	33.00	27.25	4.00	0.250	24-2.00	110.62	37.40

MARKING SYSTEM	MSS-SP-25	INSPECTION & TEST: API 598
DIM. OF FLANGE	ANSI B16.5	SHELL HYDRO 2225PSI
FACE TO FACE	ANSI B16.10	SEAT AIR 80PSI
WALL THICKNESS	API 600	BACK SEAT HYDRO 1650PSI
DESIGNED	API 600, ANSI B16.34	

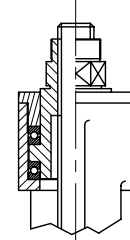
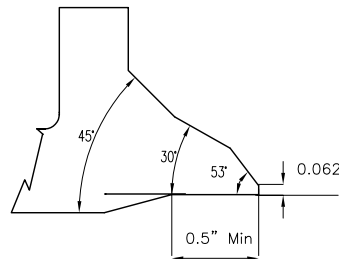
△					
△	Rechecked Dim				
△	ISSUED FOR PROPOSAL				
NO.	DATE	DESCRIPTION	PRP'D	REV'D	APP'D
		WILLIAMS VALVE CORPORATION			
		TITLE CAST STEEL GATE VALVE CLASS 600 R.F.B.B OS&Y			
SCALE	Fig #	DRAWING NO.	REV.		
NONE	60F-2	60GA060102	01		

Wm. E. Williams No. 60W2 Class 600 BW OS&Y Gate Valve ASTM A 216 WCB (API Trim 8)

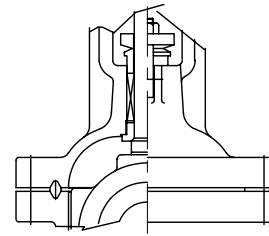


UNIT: INCH

SIZE	d	L	H	W
2.00	2.00	11.50	16.35	8.82
2.50	2.50	13.00	19.37	8.82
3.00	3.00	14.00	21.30	10.25
4.00	4.00	17.00	26.62	11.81
5.00	5.00	20.00	32.50	14.00
6.00	6.00	22.00	35.60	15.75
8.00	7.88	26.00	44.92	17.71
10.00	9.75	31.00	50.95	23.63
12.00	11.75	33.00	63.75	23.63
14.00	12.88	35.00	69.37	25.59
16.00	14.75	39.00	78.15	25.59
18.00	16.50	43.00	87.16	27.55
20.00	18.25	47.00	96.88	31.50
24.00	22.00	55.00	110.62	37.40



THRUST BALL BEARING FOR 6" AND ABOVE



ONE PIECE BONNET 2"-8"

BILL OF MATERIALS

NO.	PART NAME	MATERIALS	Q'TY	
1	BODY	A216Gr WCB	1	
2	BONNET	A216Gr WCB	1	
3	DISC	2"-6"	A217 Gr CA15	1
		8"&ABOVE	A216 Gr WCB W/13Cr FACED	1
4	STEM	A479Gr 410	1	
5	SEAT RING	A105 H/F CO-CrA	2	
6	BONNET BOLT	A193Gr B7	1SET	
7	BONNET NUT	A194Gr 2H	1SET	
8	GASKET	P#1500	1	
9	PACKING	P#6610+P#6528	1SET	
10	BACK SEAT	A479Gr 410	1	
11	GLAND RING	A479Gr 410	1	
12	GLAND FLANGE	A105 or WCB	1	
13	HINGE PIN	A105 or 410	2	
14	GLAND BOLT	A307Gr B	2	
15	GLAND NUT	A307Gr B	2	
16	YOKE SLEEVE	A439Gr D2C	1	
17	SLEEVE NUT	A479Gr 410 or WCB	1	
18	HAND WHEEL	A197	1	
19	HANDLE NUT	A479Gr 410 or WCB	1	
20	YOKE	A216Gr WCB	1	
21	YOKE BOLT	A307Gr B	4	
22	YOKE NUT	A307Gr B	4	
23	BEARING	STEEL	2	
24	SET SCREW	STEEL	1	
25	GREASE NIPPLE	STEEL	1	

NOTE:

- SPECIFY PIPE SCHEDULE No. REQUIRED.
- TRIM #2, (API #8), OTHER TRIMS AVAILABLE



WILLIAMS
VALVE CORPORATION

NO.	DATE	DESCRIPTION	PRP'D	REV'D	APP'D	MARKING SYSTEM	MSS-SP-25	INSPECTION & TEST: API 598
						BUTTWELD END	ANSI B16.25	SHELL HYDRO 2225PSI
						FACE TO FACE	ANSI B16.10	SEAT AIR 80PSI
						WALL THICKNESS	API 600	BACK SEAT HYDRO 1650PSI
						DESIGNED	API 600, ANSI B16.34	

TITLE		CAST STEEL GATE VALVE
CLASS		600 B,B OS&Y BUTTWELD END
SCALE	Fig #	DRAWING NO.
NONE	60W-2	60GA06104
		REV. 01