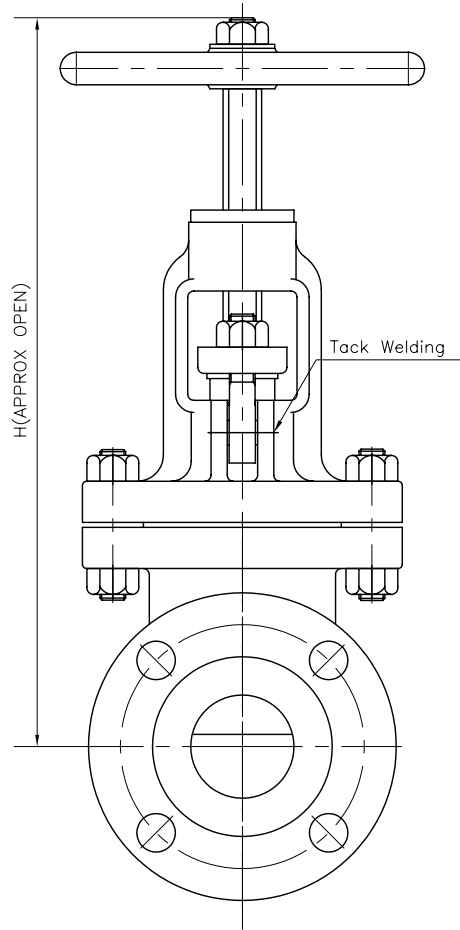
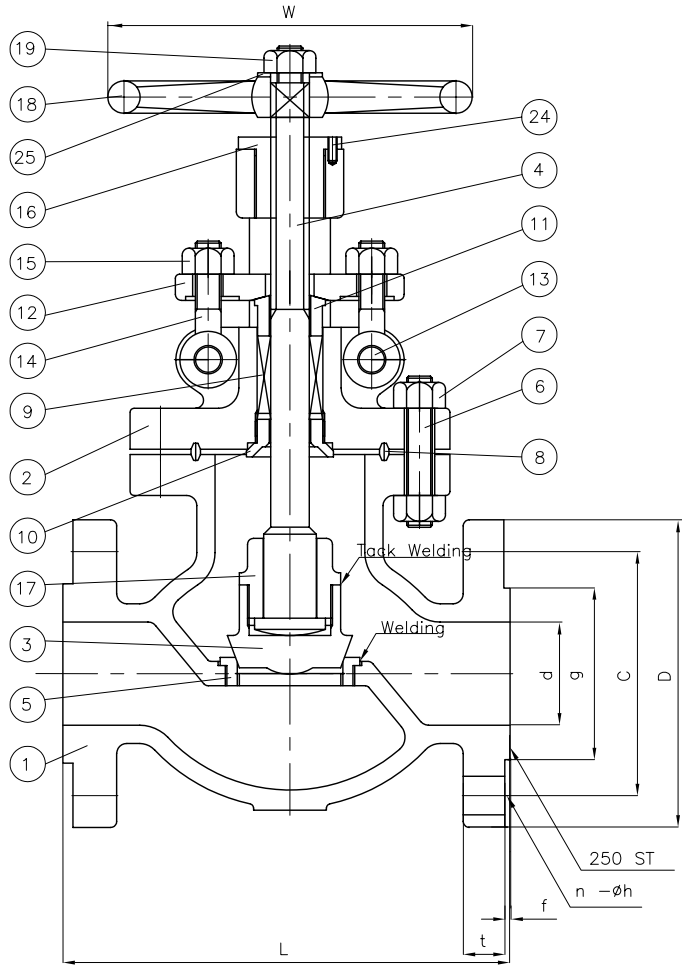


# Wm. E. Williams No. 602F2 Class 600 RF Globe Valve ASTM A 216 WCB (API Trim 8)



BILL OF MATERIALS				
NO.	PART NAME	MATERIALS	Q'TY	
1	BODY	A216Gr WCB	1	
2	BONNET	A216Gr WCB	1	
3	DISC	6" & BELOW	A217Gr CA15	1
		8" & OVER	A216Gr WCB W/13Cr FACED	
4	STEM	A479Gr 410	1	
5	SEAT RING	A105 H/F W/CO-Cr A	1	
6	BONNET BOLT	A193Gr B7	1SET	
7	BONNET NUT	A194Gr 2H	1SET	
8	GASKET	P#1500	1	
9	PACKING	P#6610+P#6528	1SET	
10	BACK SEAT	A479Gr 410	1	
11	GLAND RING	A479Gr 410	1	
12	GLAND FLANGE	A105 or WCB	1	
13	HINGE PIN	A105 or 410	2	
14	GLAND BOLT	A307Gr B	2	
15	GLAND NUT	A307Gr B	2	
16	BONNET BUSH	A439Gr D2C	1	
17	DISC NUT	A217Gr CA15	1	
18	HAND WHEEL	A197	1	
19	HANDLE NUT	A307Gr B	1	
24	SET SCREW	STEEL	1	
25	WASHER	STEEL	1	

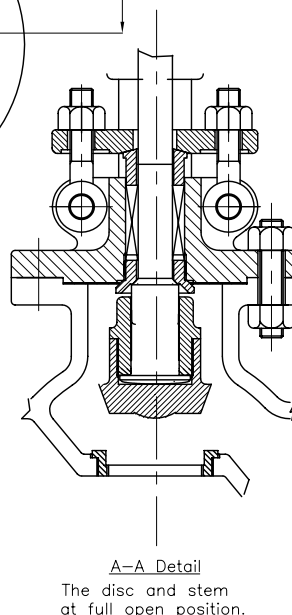
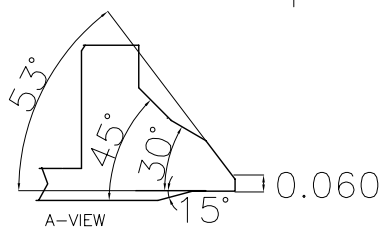
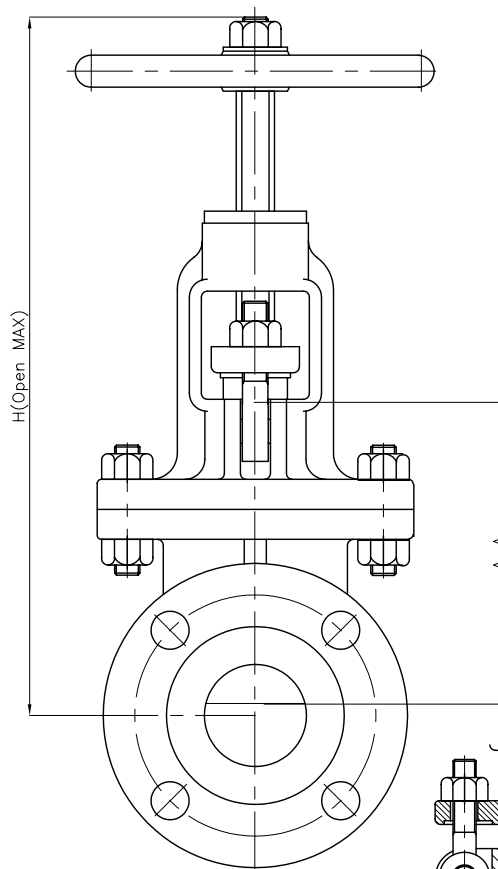
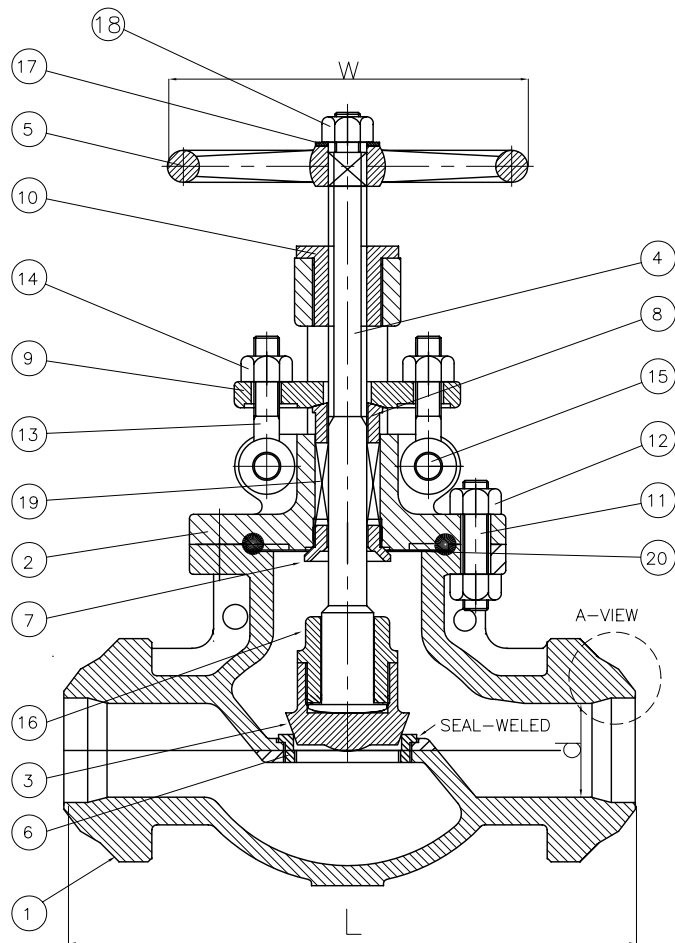
UNIT: INCH

SIZE	d	L	D	C	g	t	f	n-øh	H	w
2.00	2.00	11.50	6.50	5.00	3.62	1.00	0.250	8-0.75	17.59	7.80
2.50	2.50	13.00	7.50	5.875	4.12	1.12	0.250	8-0.87	18.98	8.10
3.00	3.00	14.00	8.25	6.625	5.00	1.25	0.250	8-0.87	20.18	10.00
4.00	4.00	17.00	10.75	8.500	6.25	1.50	0.250	8-1.00	22.32	12.40
5.00	5.00	20.00	13.00	10.50	7.32	1.75	0.250	8-1.12	29.64	12.40
6.00	6.00	22.00	14.00	11.50	8.50	1.88	0.250	12-1.12	31.50	15.75
8.00	7.88	26.00	16.50	13.75	10.63	2.19	0.250	12-1.25	35.35	17.72
10.00	9.75	31.00	20.00	17.00	12.75	2.50	0.250	16-1.37	49.33	17.72
12.00	11.75	33.00	22.00	19.25	15.00	2.62	0.250	20-1.37	58.07	17.72

MARKING SYSTEM	MSS-SP-25	INSPECTION & TEST: API 598
DIM. OF FLANGE	ANSI B16.5	SHELL HYDRO 2225PSI
FACE TO FACE	ANSI B16.10	SEAT AIR 80PSI
WALL THICKNESS	API 600	BACK SEAT HYDRO 1650PSI
OVERALL	API 600, ANSI B16.34	

△					
△		RECHECKED DIM			
△		ISSUED FOR PROPOSAL			
NO.	DATE	DESCRIPTION	PRP'D	REV'D	APP'D
TITLE CAST STEEL GLOBE VALVE CLASS 600 B, B R, F					
SCALE	Fig #	DRAWING NO.			REV.
NONE	602F-2	60GL060129			01

# Wm. E. Williams No. 602W-2 Class 600 BW Globe Valve ASTM A 216 WCB (API Trim 8)



NO.	PARTS	Material	Specification
20	GASKET	Metal	Ring joint-steel
19	PACKING	Graphited	P#6610+P#6528
18	HANDLE NUT	Stainless Steel	A194Gr 8
17	WASHER	Steel	
16	DISC NUT	Stainless Steel	A217Gr CA15
15	GLAND BOLT PIN	Carbon Steel	A105
14	GLAND NUT	Carbon Steel	A307Gr B
13	GLAND BOLT	Carbon Steel	A307Gr B
12	BONNET NUT	Carbon Steel	A194Gr 2H
11	BONNET BOLT	Carbon Steel	A193Gr B7
10	YOKE BUSH	Ductile Iron	A439Gr D2C
9	GLAND FLANGE	Carbon Steel	A105 or WCB
8	GLAND RING	Stainless Steel	A479Gr 410
7	BACK SEAT	Stainless Steel	A479Gr 410
6	SEAT RING	A105	STELLITE FACED
5	HAND WHEEL	Ductile Iron	A197
4	STEM	Stainless Steel	A479Gr 410
3	DISC	A217Gr CA15	410 (Cr13)
2	BONNET	Carbon Steel	A216Gr WCB
1	BODY	Carbon Steel	A216Gr WCB

**NOTE:**

- SPECIFY THE PIPE SCHEDULE No.REQUIRED.
- OTHER TRIMS AVAILABLE.

UNIT:INCH

SIZE	d	L	H	W
2.00	2.00	11.50	15.43	7.87
2.50	2.50	13.00	16.43	8.81
3.00	3.00	14.00	18.82	9.84
4.00	4.00	17.00	20.87	12.37
5.00	5.00	20.00	24.00	14.00
6.00	6.00	22.00	26.58	15.75
8.00	7.875	26.00	28.37	17.72
10.00	9.760	31.00	38.27	19.69
12.00	11.75	33.00	42.28	22.05

\* Other sizes available upon request,

STANDARDS	Face to Face/End to End	ANSI B16.10			STYLE:	CLASS: 600
	BUTT WELD ENDS	ANSI 16.25			Fig# 602W-2	SIZE: 2"-12"
	Basic Design	ANSI B16.34			MAT'L: WCB	SCALE: NON SHEET: 1
	Testing	API 598	DATE	REVISION RECORD	DATE	DR. Liang

WILLIAM E.



**WILLIAMS**

VALVE CORPORATION  
38-52 REVIEW AVE L.I.C N.Y 1110

TITLE: CAST STEEL GLOBE VALVE  
B.B BUTTWELD END